



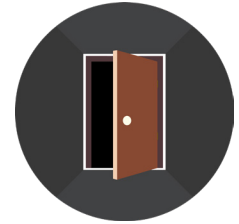
LINE CROSSING ANALYTICS

Detect a person or vehicle matching specified parameters crossing a user-defined line



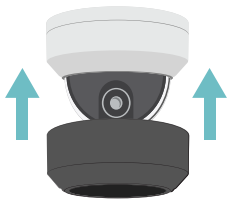
PERSON/VEHICLE ANALYTICS

Detect a person or vehicle matching specified parameters entering a user-defined area



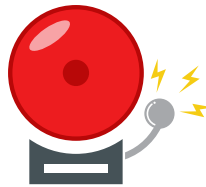
CORRIDOR MODE

Optimize monitoring for vertical spaces such as hallways, stairs, tunnels and roads



PAINTABLE COVER

Optional snap-on cover is paintable to match the color of its surroundings



ALARM I/O

Alarm connections wire the camera directly to alarm devices



TRUE WDR

True Wide Dynamic Range ensures clear video even in installations with high-contrast areas

CAMERA SPECIFICATIONS

IMAGE	
Image sensor	1/2.7", 4MP, Progressive Scan, CMOS
Shutter	Auto/Manual; 1 ~ 1/1000000s
Lens	2.8mm Fixed
Max Resolution	2688x1520
Aspect Ratio	16:9
Field of View	103°
Day/Night	True Day / Night w/ IR-Cut Filter
Wide Dynamic Range (WDR)	True WDR @ 4MP; 120dB
IR	Adaptive IR; up to 98'
Analytics-enabled	Person, Vehicle, and Line Crossing

VIDEO CONTROL	
Configurable Video Profiles	Main Profile, High Profile
Compression	H.264 & MJPEG
Max Frame rate	Primary Stream: 30FPS @ 2688x1520
Day/Night	Auto / Day / Night
White Balance	Auto / Manual / Scene
BLC	Yes
OSD	Up to 8 OSDs
ROI	Up to 8 areas
Motion Detection	Up to 4 areas
Privacy Masking	Up to 4 areas
Image Rotation	Flip Vertical, Flip Horizontal, 180°, 90° Clockwise, 90° Counter-clockwise

AUDIO	
Audio In/Out	1 - Line In / 1 - Line Out Built-in Mic
Compression	G.711A, G.711U
Two-Way Audio	Yes
Suppression	Yes

NETWORK	
Connector	RJ45
Network	10/100Mbps
ONVIF®	Profile S / G / T

HARDWARE	
Housing / Dome Cover	Plastic / Polycarbonate
Dimensions	Ø4.3" x 2.4" (Ø108 x 61mm)
Weight	0.49lb (0.22kg)
Alarm In / Relay Out	1 / 1
Pan / Tilt / Rotate	Pan: 0° ~ 348° Tilt: -66° ~ 66° Rotate: 0° ~ 346°
Country of Origin	China
NDAA Compliant	Yes

CAMERA SPECIFICATIONS (CONTINUED)

POWER	
Power Consumption	Max 4.5W
Power Source	PoE (IEEE 802.3af) / DC 12V±25%
ENVIRONMENTAL	
Operating Temperature	-22°F ~ 131°F (-30°C~55°C)
Humidity	≤95% RH (non-condensing)
STORAGE	
Onboard Storage	MicroSD card; Up to 512GB
Network	Supported
CERTIFICATIONS	
Certifications	UL / CE / FCC Class A

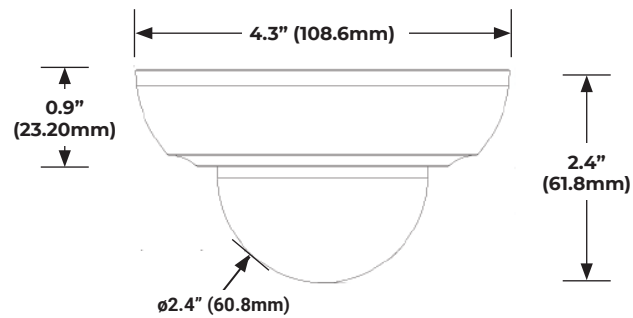
ADDITIONAL IMAGES



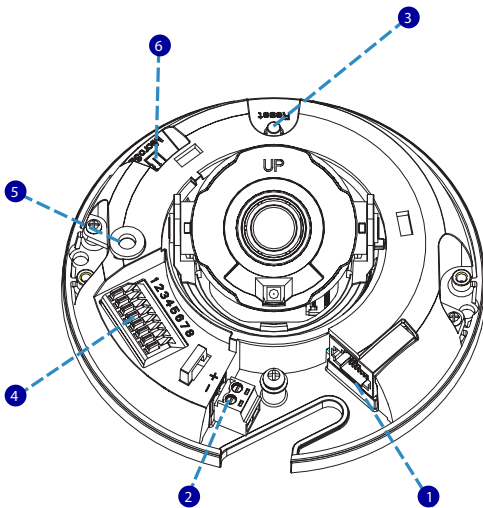
A paintable dome cover is available free of charge by request

Part Number OE-CA00PDC-01

DIMENSIONS



CONNECTIONS



1	RJ-45	-	For network and PoE connections	
2	Power (12VDC)	1	12vDC +	Power Connection
		2	GND -	
3	Reset Button	-	To restore the camera to factory defaults: 1. Disconnect power for 30 seconds. 2. Reconnect power and wait 30 seconds. 3. Press and hold the reset button for 20 seconds.	
4	Alarm & Audio I / O	1	Audio Out +	Audio connection
		2	GND	Ground connection
		3	Audio In +	Audio connection
		4	GND	Ground connection
		5	Alarm Input	Alarm connection
		6	GND	Ground connection
		7	Alarm Output +	Alarm connection
		8	Alarm Output -	Alarm connection
5	Built-in Microphone	-	Audio In	
6	microSD Card Slot	-	Insert the microSD card into the slot to store videos and snapshots	

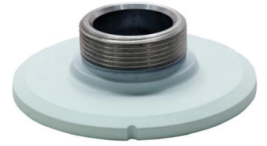
ACCESSORIES



10-Series Wall Mount
OE-CA10WM-01



10-Series Junction Box
OE-CA10JB-01



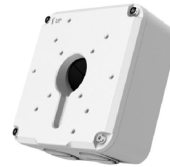
10-Series Pendant Cap
OE-CA10PC-01



Paintable Dome Cover
OE-CA00PDC-01



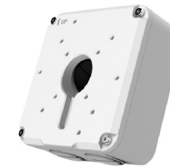
10-Series Wall Mount
OE-CA10WM-01



Indoor/Outdoor 7" Junction Box
OE-CA00JB-01



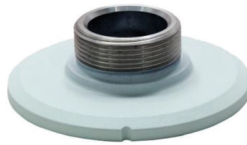
10-Series Wall Mount
OE-CA10WM-01



Indoor/Outdoor 7" Junction Box
OE-CA00JB-01



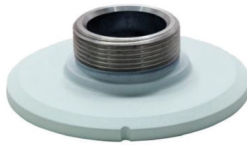
Pole Mount Kit
OE-CA00PMK-01



10-Series Pendant Cap
OE-CA10PC-01



Indoor/Outdoor Wall Mount
OE-CA00WM-01



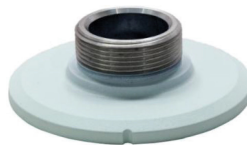
10-Series Pendant Cap
OE-CA10PC-01



Indoor/Outdoor Wall Mount
OE-CA00WM-01



Corner Mount
OE-CA00CM-01



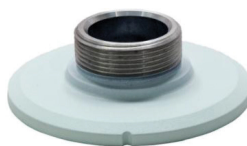
10-Series Pendant Cap
OE-CA10PC-01



Indoor/Outdoor Wall Mount
OE-CA00WM-01



Pole Mount Kit
OE-CA00PMK-02



10-Series Pendant Cap
OE-CA10PC-01



Ceiling-Mounted Pole
OE-CA00CMP-01