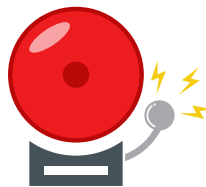




### TRUE WDR

True Wide Dynamic Range ensures clear video even in installations with high-contrast areas



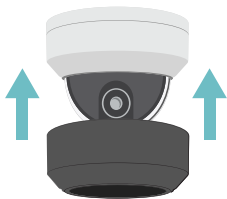
### ALARM I/O

Alarm connections wire the camera directly to alarm devices



### SMART IR LEDs

Smart IR technology for clear pictures in total darkness



### PAINTABLE COVER

Optional snap-on cover is paintable to match the color of its surroundings



### H.264 SMART COMPRESSION

Smart Compression technology for increased storage retention



### EDGE STORAGE

MicroSD card slot for redundant storage directly on the camera

## CAMERA SPECIFICATIONS

IMAGE	
Image sensor	1/3", Progressive Scan, CMOS
Shutter	Auto/Manual; 1 ~ 1/100000s
Lens	2.8mm Fixed
DORI Distance	<b>Detect:</b> 206'   <b>Observe:</b> 82'   <b>Recognize:</b> 41'   <b>Identify:</b> 20'
Max Resolution	2688x1520
Aspect Ratio	16:9
Field of View	103°
Day/Night	<b>True Day / Night w/ IR-Cut Filter</b>
Wide Dynamic Range (WDR)	True WDR @ 4MP; 120dB
IR	Smart IR; up to 98'

VIDEO CONTROL	
Configurable Video Profiles	Main Profile, High Profile
Compression	H.264 & MJPEG
Max Frame rate	Primary Stream: 30FPS @ 2688x1520
Day/Night	Auto / Day / Night
White Balance	Auto / Manual / Scene
BLC	Yes
OSD	Up to 4 OSDs
ROI	Up to 2 areas
Motion Detection	Up to 4 areas
Privacy Masking	Up to 4 areas

AUDIO	
Audio In/Out	1 - Line In, 1 - Line Out   Built-in Mic
Compression	G.711A, G.711U
Suppression	Yes

NETWORK	
Connector	RJ45
Network	10/100Mbps
ONVIF®	Profile S / G / T Compliant

HARDWARE	
Housing / Dome Cover	Plastic / Polycarbonate
Dimensions	Ø4.3" x 2.4" (Φ108 x 61mm)
Weight	0.49lb (0.22kg)
Alarm In / Relay Out	1 / 1
Pan / Tilt / Rotate	<b>Pan:</b> 3° ~ 360° <b>Tilt:</b> 0° ~ 68° <b>Rotate:</b> 3° ~ 360°
Country of Origin	China
NDAA Compliant	Yes

## CAMERA SPECIFICATIONS (CONTINUED)

POWER	
Power Consumption	Max 5.5W
Power Source	PoE (IEEE 802.3af) / DC 12V±25%

ENVIRONMENTAL	
Operating Temperature	-31°F ~ 140°F (-35°C~60°C)
Humidity	≤95% RH (non-condensing)

STORAGE	
Onboard Storage	MicroSD card; Up to 512GB
Network	Supported

CERTIFICATIONS	
Safety	UL
EMC	FCC Part 15 Subpart B Class B

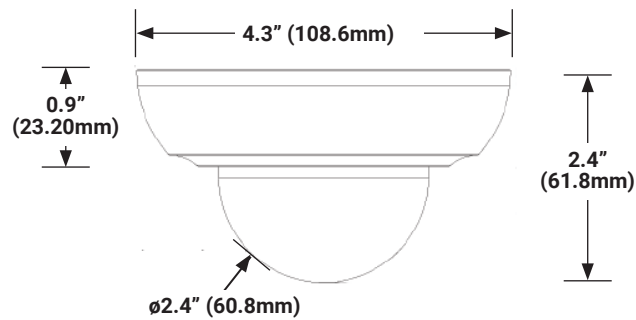
## ADDITIONAL IMAGES



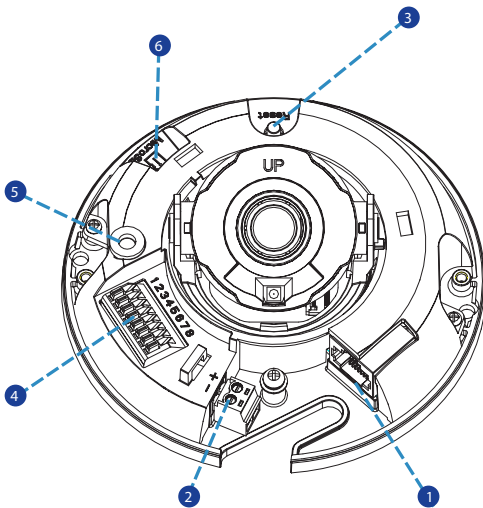
A paintable dome cover is available free of charge by request

Part Number OE-CA00PDC-01

## DIMENSIONS



## CONNECTIONS



1	RJ-45	-	For network and PoE connections	
2	Power (12vDC)	1	12vDC +	
		2	GND -	
		Power Connection		
3	Reset Button	-	To restore the camera to factory defaults: 1. Disconnect power for 30 seconds. 2. Reconnect power and wait 30 seconds. 3. Press and hold the reset button for 20 seconds.	
4	Alarm & Audio I / O	1	Audio Out +	Audio connection
		2	GND	Ground connection
		3	Audio In +	Audio connection
		4	GND	Ground connection
		5	Alarm Input	Alarm connection
		6	GND	Ground connection
		7	Alarm Output +	Alarm connection
		8	Alarm Output -	Alarm connection
5	Built-in Microphone	-	Audio In	
6	microSD Card Slot	-	Insert the microSD card into the slot to store videos and snapshots	

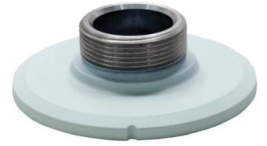
**ACCESSORIES**



10-Series Wall Mount  
OE-CA10WM-01



10-Series Junction Box  
OE-CA10JB-01



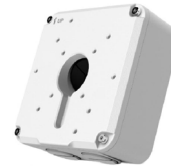
10-Series Pendant Cap  
OE-CA10PC-01



Paintable Dome Cover  
OE-CA00PDC-01



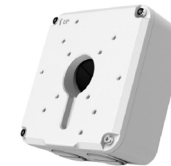
10-Series Wall Mount  
OE-CA10WM-01



Indoor/Outdoor 7" Junction Box  
OE-CA00JB-01



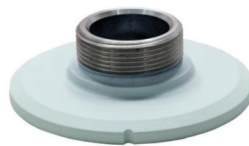
10-Series Wall Mount  
OE-CA10WM-01



Indoor/Outdoor 7" Junction Box  
OE-CA00JB-01



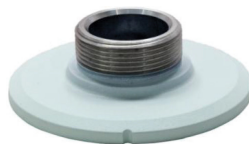
Pole Mount Kit  
OE-CA00PMK-01



10-Series Pendant Cap  
OE-CA10PC-01



Indoor/Outdoor Wall Mount  
OE-CA00WM-01



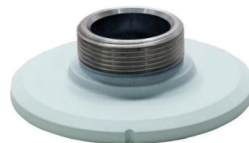
10-Series Pendant Cap  
OE-CA10PC-01



Indoor/Outdoor Wall Mount  
OE-CA00WM-01



Corner Mount  
OE-CA00CM-01



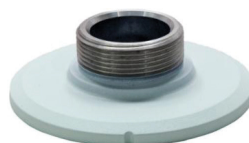
10-Series Pendant Cap  
OE-CA10PC-01



Indoor/Outdoor Wall Mount  
OE-CA00WM-01



Pole Mount Kit  
OE-CA00PMK-02



10-Series Pendant Cap  
OE-CA10PC-01



Ceiling-Mounted Pole  
OE-CA00CMP-01