



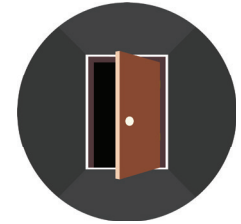
**LINE CROSSING ANALYTICS**

Detect a person or vehicle matching specified parameters crossing a user-defined line



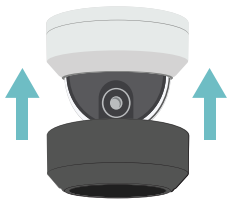
**PERSON/VEHICLE ANALYTICS**

Detect a person or vehicle matching specified parameters entering a user-defined area



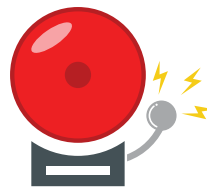
**CORRIDOR MODE**

Optimize monitoring for vertical spaces such as hallways, stairs, tunnels and roads



**PAINTABLE COVER**

Optional snap-on cover is paintable to match the color of its surroundings



**ALARM I/O**

Alarm connections wire the camera directly to alarm devices



**TRUE WDR**

True Wide Dynamic Range ensures clear video even in installations with high-contrast areas

## CAMERA SPECIFICATIONS

IMAGE	
Image sensor	1/2.7", 4MP, Progressive Scan, CMOS
Shutter	Auto/Manual; 1 ~ 1/100000s
Lens	4.0mm Fixed
Max Resolution	2688x1520
Aspect Ratio	16:9
Field of View	84°
Day/Night	True Day / Night w/ IR-Cut Filter
Wide Dynamic Range (WDR)	True WDR @ 4MP; 120dB
IR	Adaptive IR; up to 98'
Analytics	Person, Vehicle, and Line Crossing Analytics

VIDEO CONTROL	
Video Streams	2
Compression	H.264 / H.265 / MJPEG
Max Frame rate	Primary Stream: 30FPS @ 2688x1520
Day/Night	Auto / Day / Night
White Balance	Auto / Manual / Scene
BLC	Yes
OSD	Up to 8 OSDs
ROI	Up to 8 areas
Motion Detection	Up to 4 areas
Privacy Masking	Up to 4 areas
Image Rotation	Flip Vertical, Flip Horizontal, 180°, 90° Clockwise, 90° Counter-clockwise

AUDIO	
Audio In/Out	1 / 1   Built-in Mic
Compression	G.711A, G.711U
Two-Way Audio	Yes
Suppression	Yes

NETWORK	
Connector	RJ45
Network	10/100Mbps
ONVIF®	Profile S / G / T

HARDWARE	
Housing / Dome Cover	Plastic / Polycarbonate
Dimensions	Ø4.3" x 2.4" (Ø108 x 61mm)
Weight	0.49lb (0.22kg)
Alarm In / Relay Out	1 / 1
Pan / Tilt / Rotate	<b>Pan:</b> 3° ~ 360° <b>Tilt:</b> 0° ~ 68° <b>Rotate:</b> 3° ~ 360°
Country of Origin	China
NDAA Compliant	Yes

## CAMERA SPECIFICATIONS (CONTINUED)

POWER	
Power Consumption	Max 5W
Power Source	PoE (IEEE 802.3af) / DC 12V±25%
ENVIRONMENTAL	
Operating Environment	-22°F ~ 131°F (-30°C~55°C)
Humidity	≤95% RH (non-condensing)
STORAGE	
Onboard Storage	MicroSD card; Up to 512GB
Network	Supported
CERTIFICATIONS	
Certifications	UL / CE / FCC Class A

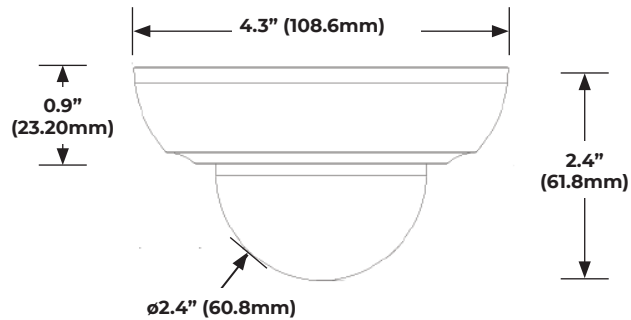
## ADDITIONAL IMAGES



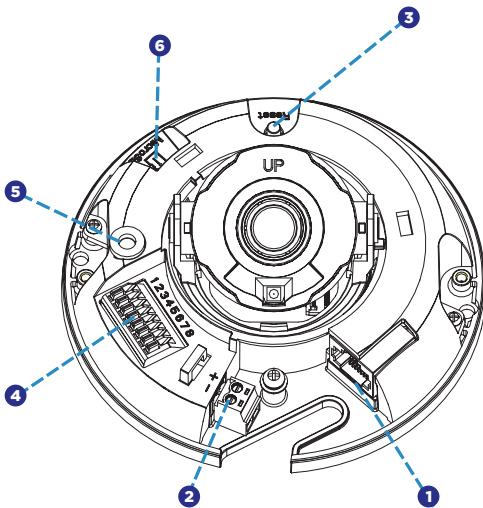
A paintable dome cover is available free of charge by request

Part Number OE-CA00PDC-01

## DIMENSIONS



## CONNECTIONS



1	RJ-45	-	For network and PoE connections	
2	Power (12vDC)	1	12vDC +	
		2	GND -	
		Power Connection		
3	Reset Button	-	To restore the camera to factory defaults: 1. Disconnect power for 30 seconds. 2. Reconnect power and wait 30 seconds. 3. Press and hold the reset button for 20 seconds.	
4	Alarm & Audio I/O	1	Audio Out +	Audio connection
		2	GND	Ground connection
		3	Audio In +	Audio connection
		4	GND	Ground connection
		5	Alarm Input	Alarm connection
		6	GND	Ground connection
		7	Alarm Output +	Alarm connection
		8	Alarm Output -	Alarm connection
5	Built-in Microphone	-	Audio In	
6	microSD Card Slot	-	Insert the microSD card into the slot to store videos and snapshots	

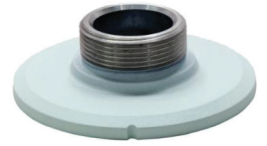
**ACCESSORIES**



10-Series Junction Box  
**OE-CA10AP-01**



10-Series Junction Box  
**OE-CA10JB-01**



10-Series Pendant Cap  
**OE-CA10PC-01**



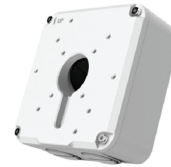
10-Series Wall Mount  
**OE-CA10WM-01**



Paintable Dome Cover  
**OE-CA00PDC-01**



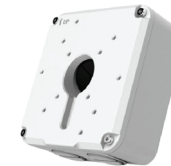
10-Series Wall Mount  
**OE-CA10WM-01**



Indoor/Outdoor 7" Junction Box  
**OE-CA00JB-01**



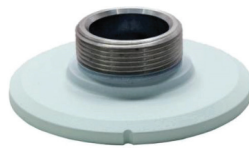
10-Series Wall Mount  
**OE-CA10WM-01**



Indoor/Outdoor 7" Junction Box  
**OE-CA00JB-01**



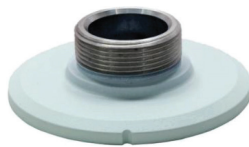
Pole Mount Kit  
**OE-CA00PMK-01**



10-Series Pendant Cap  
**OE-CA10PC-01**



Indoor/Outdoor Wall Mount  
**OE-CA00WM-01**



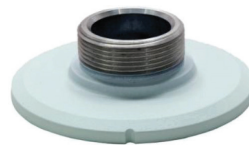
10-Series Pendant Cap  
**OE-CA10PC-01**



Indoor/Outdoor Wall Mount  
**OE-CA00WM-01**



Corner Mount  
**OE-CA00CM-01**



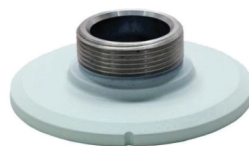
10-Series Pendant Cap  
**OE-CA10PC-01**



Indoor/Outdoor Wall Mount  
**OE-CA00WM-01**



Pole Mount Kit  
**OE-CA00PMK-02**



10-Series Pendant Cap  
**OE-CA10PC-01**



Ceiling-Mounted Pole  
**OE-CA00CMP-01**