

OpenEye[®]

The Cloud Video Platform

4MP OUTDOOR MINI DOME CAMERA

HARDWARE MANUAL



OE- C1014D4 4MP Outdoor Mini Dome Camera
User Manual

Manual Edition 37587AD – February 2022

©2022, OPENEYE
All Rights Reserved.

No part of this documentation may be reproduced in any means, electronic or mechanical, for any purpose, except as expressed in the Software License Agreement. OpenEye shall not be liable for technical or editorial errors or omissions contained herein. The information in this document is subject to change without notice.

The information in this publication is provided “as is” without warranty of any kind. The entire risk arising out of the use of this information remains with recipient. In no event shall OPENEYE be liable for any direct, consequential, incidental, special, punitive, or other damages whatsoever (including without limitation, damages for loss of business profits, business interruption or loss of business information), even if OPENEYE has been advised of the possibility of such damages and whether in an action or contract or tort, including negligence.

This documentation is copyrighted. All other rights are reserved to OPENEYE. OPENEYE, and OpenEye, are registered trademarks of OPENEYE in the United States and elsewhere; Windows, and Windows XP Embedded are registered trademarks of Microsoft Corporation. All other brand and product names are trademarks or registered trademarks of the respective owners.

OPENEYE
Liberty Lake, WA • U.S.A.

Important Safeguards

Read Instructions

Read all of the safety and operating instructions before using the product.

Retain Instructions

Save these instructions for future reference.

Attachments / Accessories

Do not use attachments or accessories unless recommended by the appliance manufacturer as they may cause hazards, damage product and void warranty.

Installation

Do not place or mount this product in or on an unstable or improperly supported location. Improperly installed product may fall, causing serious injury to a child or adult, and damage to the product. Use only with a mounting device recommended by the manufacturer or sold with the product. To insure proper mounting, follow the manufacturer's instructions and use only mounting accessories recommended by manufacturer.

Power source

This product should be operated only from the type of power source indicated on the marking label.

Precautions

Operating

Before using, make sure power supply and others are properly connected.

While operating, if any abnormal condition or malfunction is observed, stop using the camera immediately and then contact your local dealer.

Handling

Do not disassemble or tamper with parts inside the camera.

Do not drop or subject the camera to shock and vibration as this can damage camera.

Care must be taken when you clean the clear dome cover. Scratches and dust will ruin the image quality of your camera. Do not use strong or abrasive detergents when cleaning the camera body. Use a dry cloth to clean the camera when it is dirty. In case the dirt is hard to remove, use a mild detergent and wipe the camera gently.

Installation and Storage

Do not install the camera in areas of extreme temperatures in excess of the allowable range; install the camera in areas with temperatures within the camera's operating temperature, including the following: -31°F ~ 140°F (-35°C ~ 60°C)

Avoid installing in humid or dusty places. The relative humidity must be below 95%.

Avoid installing in places where radiation is present.

Avoid installing in places where there are strong magnetic fields and electric signals.

Avoid installing in places where the camera would be subject to strong vibrations.

Never face the camera toward the sun. Do not aim at bright objects. Whether the camera is in use or not, never aim it at the sun or other extremely bright objects. Otherwise the camera may be smeared and damaged.

Cleaning

If the video image becomes blurry or smudged in areas, it may be because the lens cover requires cleaning.

To clean the lens cover:

- Use hand soap or a non-abrasive detergent to wash off dirt or fingerprints.
- Use a microfiber cloth or non-abrasive fabric to dry the dome bubble.
 - **Important:** Failure to use the recommended cleaning materials may result in a damaged or scratched lens cover. A damaged lens cover may negatively impact image quality and cause unwanted IR light reflecting into the lens.

To clean the camera body:

- Use a dry or lightly dampened cloth to clean the camera body.
- Do not use strong or abrasive detergents.

Regulation

This device complies with Part 15 of the FCC Rules. Operation is subject to the following two conditions: (1) this device may not cause harmful interference, and (2) this device must accept any interference received, including interference that may cause undesired operation.

Compliance is evidenced by written declaration from our suppliers, assuring that any potential trace contamination levels of restricted substances are below the maximum level set by EU Directive 2002/95/EC, or are exempted due to their application.

Warning

DANGEROUS HIGH VOLTAGES ARE PRESENT INSIDE THE ENCLOSURE.
DO NOT OPEN THE CABINET.
REFER SERVICING TO QUALIFIED PERSONNEL ONLY.

Caution

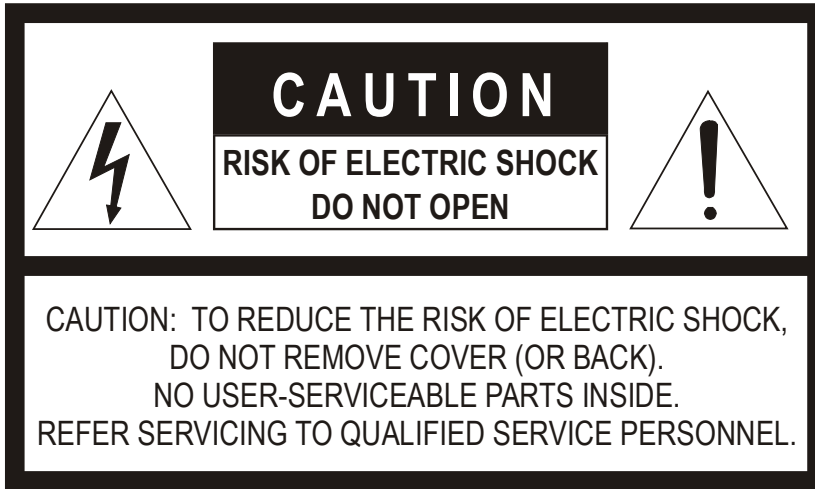


Table of Contents

Introduction	8
Overview	8
Product Features	8
Getting Started	9
Box Contents	9
Camera Dimensions	10
Connections	10
Power Connection.....	11
Resetting the Camera	11
NETWORK CAMERA MANAGER	12
Launching Network Camera Manager.....	12
Finding Network Devices.....	12
Username and Password	13
Live View	14
Setup & Configuration.....	15
Basic Camera Settings	15
Basic Information.....	15
Network Settings	16
Network	16
Port.....	17
DDNS.....	18
FTP.....	19
Email	20
Streaming Settings	21
Video	21
Stream URLs / RTSP	22
Snapshot.....	23
Audio.....	24
Region of Interest (ROI)	25
Media Stream	26
Picture Settings.....	27
Image	27
On-Screen Display	31
Privacy Mask	32
Events Settings	33
Alarms.....	33
Storage Settings	36
Storage	36
JPEG Download.....	37
Recording Download.....	37
Security Settings	38
User	38
Network Security	39
Watermark	40
Maintenance	40

Time	40
Maintenance.....	41

Introduction

OVERVIEW

The OE-C1014D4 is a compact outdoor IP mini dome with crystal clear 4MP resolution, true WDR, and smart video compression for improved streaming performance and recording retention. With a vandal resistant IK10 housing the OE-C1014D4 is suitable for installation on low ceilings and in public spaces. Adaptive IR technology ensures the camera can capture images in low light without overexposing subjects of interest and losing important detail. The OE-C1014D4 is compatible with a broad range of available mounting accessories to fit any application, stands up to the elements with an IP67 rated housing and operates down to -31°F for even the most extreme cold weather installations. Additional connection for audio in/out and sensor I/O connections make this camera an excellent choice for pairing with OpenEye Web Services remote monitoring and two-way audio capabilities. The OE-C1014D4 is an excellent choice for users looking for an affordable IP mini dome that is big on features.

The OE-C1014D4 is ONVIF™ profile S/G/T compliant and fully compatible with the OpenEye Web Services platform, allowing easy plug-and-play connectivity and complete remote setup using a Web browser.

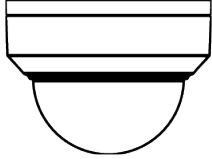
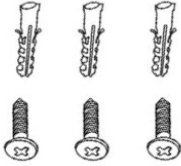
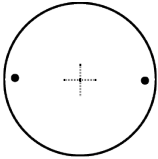
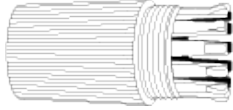

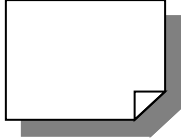
PRODUCT FEATURES

- NDAA Compliant
- 2.8mm Fixed Lens
- 4MP resolution at up to 30 FPS
- True WDR
- Adaptive IR, up to 98' range
- Smart Compression
- Audio in/out, sensor, and relay connections
- Edge Storage (up to 512GB MicroSD card)
- IP67 Ingress Protection Rating
- IK10 Impact Protection Rating
- Optional Paintable Dome Cover (Free Upon Request)

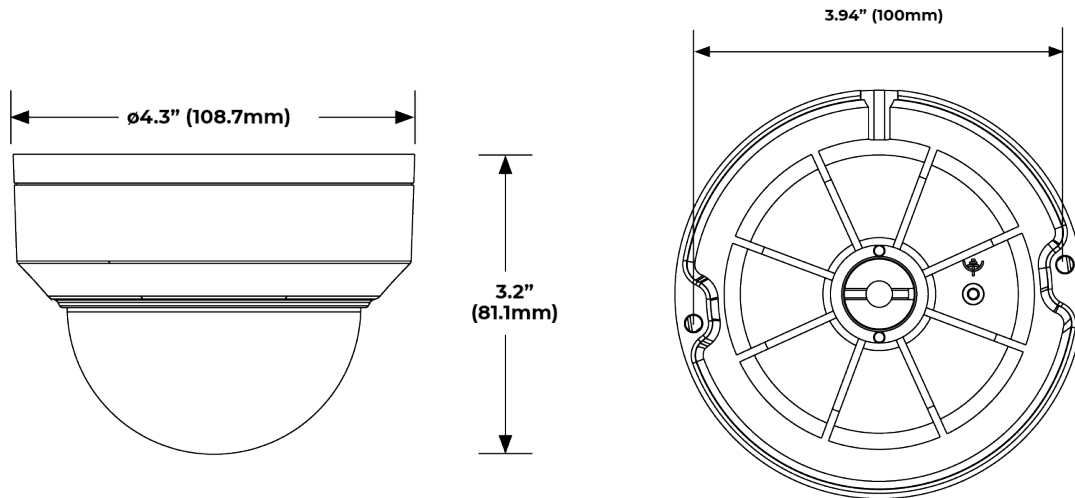
Getting Started

BOX CONTENTS

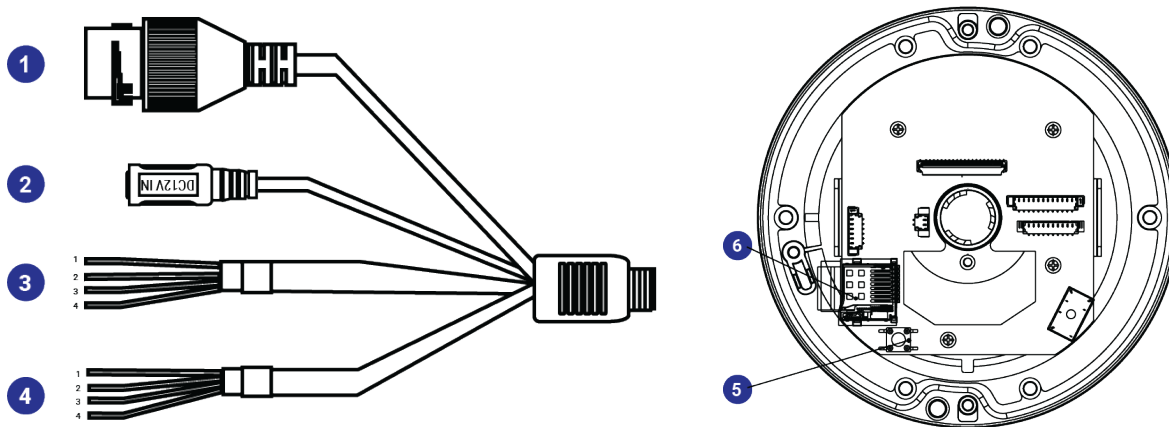
Before proceeding, please confirm that the box contains the items listed here. Please contact your dealer for assistance if any item is missing or has defects.

 <p>OE-C1014D4 Dome Camera</p>	 <p>Self-Tapping Screws and Plastic Anchors x 3</p>
 <p>Mounting Template</p>	 <p>Waterproof Cable Connector</p>
 <p>Torx Tool</p>	 <p>Quick Start Guide</p>

CAMERA DIMENSIONS



CONNECTIONS



1	RJ45	For connector and PoE connections	
2	Power (12vDC)	Power connection	
3	Audio I/O	Grey	Audio Out
		Purple	Ground
		Green	Audio In
		Brown	Ground
4	Alarm I/O	Yellow	Alarm Out +
		White	Alarm Out -
		Orange	Alarm Input
		Blue	Ground
5	Reset	To restore the camera to factory defaults: 1. Disconnect power for 30 seconds. 2. Reconnect power and wait 30 seconds. 3. Press the reset button for 20 seconds.	
6	MicroSD Card Slot	Supports up to 512GB microSD card for Edge storage. Do not add or remove the microSD card when the camera is powered on.	

POWER CONNECTION

For an adequate power connection, use a 12vDC adaptor. Alternatively, you can power the camera by PoE if a Power Sourcing Equipment (PSE) switch is available. Ensure that the camera's power cable is correctly and firmly connected.



Note OpenEye recommends against using more than one power source at a time. Do not use a PoE power source when providing the camera with 12vDC power.

If using Power over Ethernet (PoE), make sure Power Sourcing Equipment (PSE) is in use in the network.

RESETTING THE CAMERA

Resetting the camera will restore factory defaults:

1. Disconnect power for 30 seconds.
2. Reconnect power and wait 30 seconds.
3. Press the reset button for 20 seconds.

NETWORK CAMERA MANAGER

OpenEye Network Camera Manager (NCM) is a software tool that allows you to quickly and easily connect and configure your OpenEye IP Cameras. This software allows you to apply the camera password, assign IP addresses, configure video settings, and update firmware on multiple cameras at once.

NCM is pre-installed on all OpenEye Recorders and is also available for download www.OpenEye.net for installation on your personal computer or laptop. Network Camera Manager is a Java application, this allows it to be installed on Windows and Linux operating systems.

LAUNCHING NETWORK CAMERA MANAGER

Apex Windows Platforms

Network Camera Manager can be found on the desktop.

Linux Platforms

In the Apex Settings menu, go to the **Cameras** page and click **Advanced**.

FINDING NETWORK DEVICES

Click **Refresh** to reload the Device List.

To narrow your search by **Camera Model** or **Network**, use the **Model Filter** and **Networks** dropdowns.

The screenshot shows the Network Camera Manager application window. The title bar reads "Network Camera Manager" and the window title is "NETWORK CAMERA MANAGER" with a version indicator "Version: 2.3.0.92". The main content area features a table with the following data:

Model	Name	IP Address	MAC	Web Page	Firmware
<input type="checkbox"/> OE-C7564-AWR_RevB	OE-C7564-AWR_RevB	192.168.51.12	00:D0:89:19:35:A4	Load	
<input type="checkbox"/> OE-C6123-W2	OE-C6123-W2	192.168.51.16	00:D0:89:17:22:8B	Load	
<input type="checkbox"/> OE-C7032-WR	OE-C7032-WR	192.168.51.13	4C:91:7A:67:65:B9	Load	
<input type="checkbox"/> OE-C7088-AWR	OE-C7088-AWR	192.168.51.14	E4:F1:4C:0C:57:57	Load	

Below the table, there are search and filter controls: "Model Filter (All)", "All Networks", "Devices Found: 4", "Find MAC" (with a text input field), "Find", "ONVIF Detection" (checkbox), and a "Refresh" button. At the bottom, there are four panels: "Camera Credentials" (with fields for username "admin" and password "1234"), "Network Configuration" (with fields for IP Address, Subnet, Gateway, DNS, and a "DHCP" checkbox), "Firmware Update" (with a "Get Firmware" button and "Browse" and "Apply" buttons), and "Camera Settings" (with "System" and "Video" buttons).

A Mac Address search is also available if you are looking for a specific device.

USERNAME AND PASSWORD

**OpenEye IP cameras ship without a default password.*

Username: **admin**

The **admin** user password can be set using the following methods:

1. OpenEye recorders running Apex 2.1 or newer will automatically set a new unique password if:
 - Connected to an M-Series recorder with a built in PoE switch.
 - Connected to a network switch through the camera network port and selected then added in setup, if a new password has not already been set.

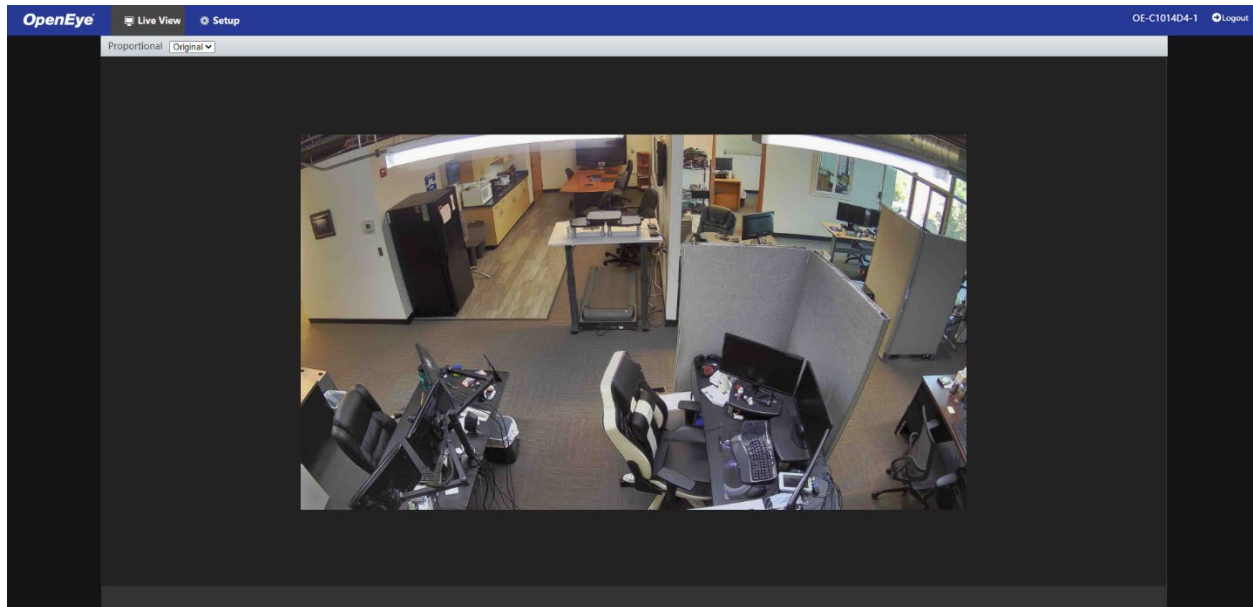
Note You can set your Default Camera Password under the General Settings page within *Setup > System Settings > General Settings*. For instructions on defining your unique camera password, visit:
<https://www.openeye.net/support/faqs/default-camera-password>

2. Connect to the camera directly through a Web Browser and follow the onscreen prompts.
3. Use the Network Camera Manager (NCM) Utility.

Note The NCM Software Manual can be found at <https://www.openeye.net/ncm-manual>.

Note Refer to your Apex recorder manual or quick start guide for instruction on adding cameras.

Live View



The camera displays a live view using the MJPEG stream for setup purposes.

Proportional – Select the image ratio for the live preview image (Original, Stretch, Scale)

Setup – Go to the Setup tab to access the camera menus

Logout – Log out the current user

SETUP & CONFIGURATION

BASIC CAMERA SETTINGS

Basic Information

The Basic Information tab displays the product model, firmware, network, and MAC address for the connected camera, along with the current camera Status.

The screenshot shows the 'Basic Camera Settings' interface. On the left is a sidebar menu with the following items: Basic Info (selected), Image, Video, Network, Time, Network Settings, Streaming Settings, Picture Settings, Event Settings, Storage Settings, Security Settings, and Maintenance. The main content area is titled 'Basic Info' and contains two sections: 'Basic Info' and 'Status'. The 'Basic Info' section is a table with the following data:

Basic Info	
Model	
Firmware Version	IPC_G6107-B0001P86D1806C80
Hardware Version	A
Boot Version	V0.1
Serial No.	210235TGDJ3205000000
Network Settings	10.0.22.13/255.255.252.0/10.0.23.156
MAC Address	4c:91:7a:67:a8:4c

The 'Status' section is another table with the following data:

Status	
System Time	2020/9/29 11:39:10
Operation Time	0 Day(s) 4 Hour(s) 26 Minute(s)

Below the 'Status' table is a 'Refresh' button.

The nested Image, Video, Network, and Time tabs are shortcuts to the more advanced menu options further down the Setup list. For more information about these tabs, see the appropriate sections later in the manual.

NETWORK SETTINGS

Network

The Network tab allows you to configure the connected camera network settings.

DHCP IP Address

The default static IP address of the camera is 192.168.51.2, and the default subnet mask is 255.255.255.0. DHCP is turned on by default.

If a DHCP server is used in the network, the IP address of your camera may be assigned dynamically.

The image displays two side-by-side screenshots of the OpenEye camera's web interface, specifically the 'Network' settings page. The left screenshot shows the 'DHCP/Static IP' dropdown menu set to 'DHCP'. The right screenshot shows the 'DHCP/Static IP' dropdown menu set to 'Static', with the 'IP Address' field containing '192.168.51.3', the 'Subnet Mask' field containing '255.255.255.0', and the 'Default Gateway' field containing '192.168.51.1'. Both screenshots also show the 'IPv6' section with 'IPv6 Mode' set to 'Manual' and 'Prefix Length' set to '64'. The 'DNS' section shows 'Preferred DNS Server' as '8.8.8.8' and 'Alternate DNS Server' as '8.8.4.4'. The 'MTU' is set to '1500', 'Port Type' is 'FE Port', and 'Operating Mode' is 'Auto-negotiation'. A 'Save' button is visible at the bottom of each screenshot.

Static IP Address

To set up a new static IP address:

1. Select **Static** from the **DHCP/Static IP** dropdown option.
2. Enter the **IP Address**, **Subnet Mask**, and **Default Gateway**.

***Note** - Make sure that the IP address of the camera is unique in the network.

3. **Save**

IPv6 Address Configuration

1. Enter the **IPv6 Address**, set the **Prefix Length** and **Default Gateway**.

***Note** - Make sure that the IP address of the camera is unique in the network.

2. **Save**

DNS

Set your **Preferred DNS Server** and **Alternate DNS Server**.

Port

Port Type	External Port	External IP Address	Status
HTTP Port	80	0.0.0.0	Inactive
RTSP Port	554	0.0.0.0	Inactive
Server Port	81	0.0.0.0	Inactive
HTTPS Port	443	0.0.0.0	Inactive

HTTP Port – Configure your relevant port number.



Note If the HTTP port number has been occupied already, a “Port conflicts” message will display. Ports 23, 81, 82, 85, 3260, and 49152 are occupied by default.

HTTPS Port – The default HTTPS Port is 443; setting range: 1024 ~65535.

RTSP Port – The default RTSP port is 554; setting range: 1024 ~65535.



Note No port number can be used in duplication on more than one item.

Port Mapping

To enable Port Mapping:

1. Toggle **On** for **Port Mapping**.
2. Use the **Mapping Type** dropdown menu to select a type.
3. If selecting **Manual**, the external ports must be configured.



Note If the configured port is already occupied, then the Status will show as inactive and a new port must be selected.

4. **Save**

DDNS

Basic Camera Settings		DDNS
Network Settings		
Network		
Port		
▶ DDNS		
FTP		
E-mail		
Streaming Settings		
Picture Settings		
Event Settings		
Storage Settings		
Security Settings		
Maintenance		
	DDNS Service	<input type="radio"/> On <input checked="" type="radio"/> Off
	DDNS Type	<input type="text" value="NO-IP"/>
	Server Address	<input type="text" value="www.noip.com"/>
	Domain Name	<input type="text"/>
	Username	<input type="text"/>
	Password	<input type="password"/>
	Confirm	<input type="password"/>
	<input type="button" value="Save"/>	

1. **Enable** DDNS Service.
2. Select a **DDNS Type**.
3. Enter **Server Address**, **Domain Name**, **Username** and **Password**.
4. **Save**

FTP

Use FTP (file transfer protocol) to upload snapshots from network cameras to a specified server.

The screenshot shows the 'Basic Camera Settings' menu with 'FTP' selected. The 'General' tab is active, displaying 'Server Parameters' and 'Snapshot Image' sections. The 'Server Parameters' section includes fields for Server IP (0.0.0.0), Port No. (21), Username, Password, and checkboxes for 'Upload Images' and 'Overwrite Storage'. The 'Overwrite At' field is set to 1000. The 'Snapshot Image' section includes a 'Save To' field with a root directory path of four 'Disable' dropdowns, a 'File Name' field, and a 'Separator' dropdown. Below these is a table for naming elements:

No.	Naming Element
1	None
2	
3	
4	
5	

A 'Save' button is located at the bottom of the form. A note at the bottom states: 'Note: Overwrite will take place in the current directory.'

To configure FTP:

1. Set the **Server IP** address and **Port No.** for the FTP server, **Username** and **Password** used to upload images to the FTP server, select **Upload Images**, **Overwrite Storage** and set **Overwrite At** (threshold for overwriting images).
2. Set the path for saving snapshots on the FTP server and the file name format.

Example: set path as Preset No.\\IP Address\\Date\\Hour(s), and set file name as Preset No.-PTZ Zoom-PTZ Latitude-PTZ Longitude.jpg.

3. **Save.**

Email

The camera can send an e-mail via Simple Mail Transfer Protocol (SMTP) when a variety of events occur. Two sets of SMTP accounts can be configured. Each set includes SMTP Server, Account Name, Password and E-mail Address settings. For SMTP server, contact your network service provider for more specific information.

Basic Camera Settings	E-mail
Network Settings	
Network	
Port	
DDNS	
FTP	
▶ E-mail	
Streaming Settings	
Picture Settings	
Event Settings	
Storage Settings	
Security Settings	
Maintenance	
	<p>Sender</p> <p>Name <input type="text"/></p> <p>Address <input type="text"/></p> <p>SMTP Server <input type="text"/></p> <p>SMTP Port <input type="text" value="25"/></p> <p>TLS/SSL <input type="radio"/> On <input checked="" type="radio"/> Off</p> <p>Snapshot Interval(s) <input type="text" value="2"/> <input checked="" type="checkbox"/> Attach Image</p> <p>Server Authentication <input checked="" type="radio"/> On <input type="radio"/> Off</p> <p>Username <input type="text"/></p> <p>Password <input type="password" value="....."/></p> <p>Recipient</p> <p>Name1 <input type="text"/></p> <p>Address1 <input type="text"/> Test</p> <p>Name2 <input type="text"/></p> <p>Address2 <input type="text"/> Test</p> <p>Name3 <input type="text"/></p> <p>Address3 <input type="text"/> Test</p> <p>Save</p>

Parameter	Description
TLS/SSL	When enabled, the e-mail will be encrypted using TLS (Transport Layer Security) or Secure Socket Layer (SSL) to protect privacy. First it tries to send through an SSL connection. If the SMTP server supports SSL, the e-mail will be sent through the SSL connection; otherwise, it tries to send using STARTTLS.
Attach Image	When enabled, the e-mail will contain 3 instant snapshots as attachment according to the Capture Interval.
Username/Password	Username and password of the registration email address. The password allows the following special characters \ / : * ? ' " < > % &

STREAMING SETTINGS

Video

The video settings menu configures the camera's video settings, including **Resolution**, **Frame Rate**, **Bit Rate**, and the **Image Quality**.

To configure camera streams:

Use the dropdown menus to configure the **Video Compression**, **Resolution**, **Frame Rate**, **Bitrate Type**, **Smart Encoding**, and **GOP**.

1. Check to **Enable Sub Stream** and configure if desired.
2. **Save**

Smart Encoding – Turn on Smart Encoding to enable H.264+ encoding to reduce bit rate. It is recommended not to set the frame rate below 10FPS when smart compression is enabled.

Resolution and Frame Rate – Use the dropdown menu to select the base resolution and frame rate for the main stream.



Note Higher frame rate will increase video smoothness but will increase file size and bandwidth usage. Lowering the frame rate will conserve file size and bandwidth usage at the expense of video smoothness.

Video Compression – H.264, H.265, and MJPEG are available for video compression.

Image Quality – If the Encoding Mode is set to VBR, you can adjust the quality level for images by moving the sliding bar. The Quality side of the bar improves video quality, and the Bit Rate side of the bar reduces Bit rate.

I-Frame Interval / GOP – The Group of Pictures setting allows you to modify the frame structure of the video stream. This setting changes the frequency of the I-frames that occur within the stream of P-frames. Increasing this number increases the number of P-frames between each I-frame, decreasing the file size of the stream, but increasing the risk of video decoding errors. It is recommended setting the GOP to be approximately twice the frame rate.

Smoothing – Configure the amount of video smoothing. Moving the sliding bar toward Smooth increases the level of smoothing but may affect image quality.



Note In a poor network environment, you can increase smoothing to get more fluid video.

Stream URLs / RTSP

It is possible to connect to OpenEye IP cameras using third party software like VLC media player.

To connect some types of software will need to know the stream URL. All OpenEye IP cameras can deliver two RTSP streams.

The RTSP stream URL format is as follows:

rtsp://[USER]:[PASSWORD]@[IP ADDRESS]:[RTSP PORT]/media/video[STREAM]

[USER] – This is the username to access your device

[PASSWORD] – This is the password to the user

[IP ADDRESS] – This is the IP address of your device

[RTSP PORT] – This is the RTSP port of your device; the default RTSP Port is 554

[STREAM] –

- Primary Stream: video1
- Sub-stream: video2

Example:

[USER]	<i>admin</i>
[PASSWORD]	<i>1\$\$!9#6v\$\$\$1</i>
[IP ADDRESS]	<i>192.168.51.51</i>
[RTSP PORT]	<i>554</i>
[STREAM]	<i>1</i>

RTSP Stream URL - *rtsp://admin:1\$\$!9#6v\$\$\$1@192.168.51.51:554/media/video1*

Snapshot

The Snapshot tab is used to configure the settings for timed or continual snapshots.

To configure Snapshots:

1. Use the dropdowns to select the desired **Resolution**, **Snapshot Interval**, and the **Number of Snapshots**.
2. If you desire Scheduled Snapshots, select **Schedule** Snapshot Mode, and designate snapshot times.
3. **Save**

Parameter	Description
Snapshot Interval	Interval between two snapshots. For example, with Snapshot Interval set to 1 and Number of Snapshot set to 2, the camera will take 2 snapshots (take one first and then take another after 1 second).
Number to Snapshot	Currently 1, 2, and 3 snapshots are allowed.
Snapshot Mode	<p>Schedule: You need to set a snapshot time, e.g., 19:12:00, which means the camera takes a snapshot at 19:12:00.</p> <p>Repeat: Allows you to set an interval (unit: sec). For example, according to the settings shown in the figure above, 60 seconds must elapse before the camera takes another two snapshots.</p>

Audio

The Audio tab allows you to configure the audio encoding settings for your camera.

The screenshot shows the 'Audio' configuration page. On the left is a sidebar menu with categories: Basic Camera Settings, Network Settings, Streaming Settings, Picture Settings, Event Settings, Storage Settings, Security Settings, and Maintenance. Under 'Streaming Settings', options include Video, Snapshot, Audio (selected), ROI, and Media Stream. The main area is titled 'Audio' and contains two sections: 'Audio Input' and 'Audio Output'. The 'Audio Input' section includes: 'Audio Input' (radio buttons for On and Off, with 'On' selected), 'Access Mode' (dropdown menu showing 'Line/Mic'), 'Input Gain' (input field with '128' and a range of '[0~255]'), 'Audio Compression' (dropdown menu showing 'G.711U'), 'Sampling Rate(KHz)' (dropdown menu showing '8'), 'Noise Suppression' (radio buttons for On and Off, with 'On' selected), and 'Audio 1' (dropdown menu showing 'Line' and a checked 'Enable' checkbox). The 'Audio Output' section includes: 'Audio Output' (dropdown menu showing 'Line'). At the bottom of the main area is a 'Save' button.

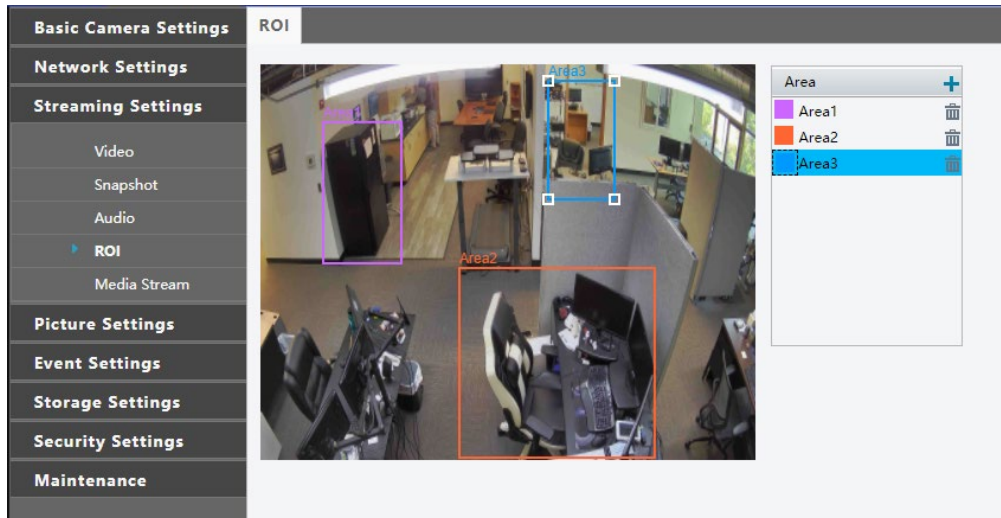
To configure Audio setup:

1. Configure the Audio settings as desired.
2. **Save**

Parameter	Description
Audio Input	No audio data will be encoded when Off is selected.
Access Mode	Line/Mic
Audio Compression	Two options: G.711U, G.711A. G.711U and G.711A support 8K sampling rate only.
Input Gain	Audio signal amplification for sampling. The greater the gain, the greater amplification.
Noise Suppression	Reduces background noise to improve clarity of voices. To enable noise suppression, select On .
Audio 1	To enable audio input, select Enable .

Region of Interest (ROI)

When Region of Interest (ROI) is enabled, the system ensures the image quality for the ROI first if the bit rate is insufficient.



To enable ROI:

1. Click **+** on the Area box.
2. Arrange the ROI square as desired in the camera image. Click and drag to move the square and use the corner markers to expand the square. The interior of the ROI square will be considered the ROI.
3. Click **+** again to add additional ROIs.
4. Click the trash icon to delete a created ROI.

Changes will be saved automatically.

Media Stream

You can display the established media streams from a camera. You can also set the camera to transmit code streams by the UDP or TCP protocol to a specified IP address and port number.



Note Changes to the media stream will take effect after the camera has been restarted.

Stream Profile	Protocol	Destination IP	Destination...	Persistent	+
Sub Stream	TCP	10.0.70.108	44216	Disable	
Main Stream	TCP	10.0.70.108	44218	Disable	
Main Stream	TCP	10.0.22.37	58529	Disable	
Sub Stream	TCP	10.0.22.37	59558	Disable	

Main Stream

Multicast Address:

Port:

Sub Stream

Multicast Address:

Port:

To configure media streams:

1. Click the **+** on the right side of the title bar and the Add Media Stream page will appear.

Stream Profile	IP Address	Port	Protocol	Persistent	+

2. Select a **Stream Type**, and then set the **IP Address** and **Port Number** of the unicast or multicast group for the decoding device that receives audio and video streams from the camera.

Add Media Stream ✕

Stream Profile:

IP Address:

Port:

Protocol:

Persistent: Enable Disable

3. Toggle **Persistent** to **Enable** if you want the device to establish the media stream that you have just configured automatically upon each subsequent restart.
4. **Save**
5. Click the trashcan icon to **delete** a created media stream.

Stream Profile	IP Address	Port	Protocol	Persistent	+
Main	10.0.30.165	80	UDP	Disable	

PICTURE SETTINGS

Image

The Image tab allows you to configure the setting for the camera image as seen in Live View. When adjusting your image settings, the changes will be saved automatically and will display in the camera image preview window.

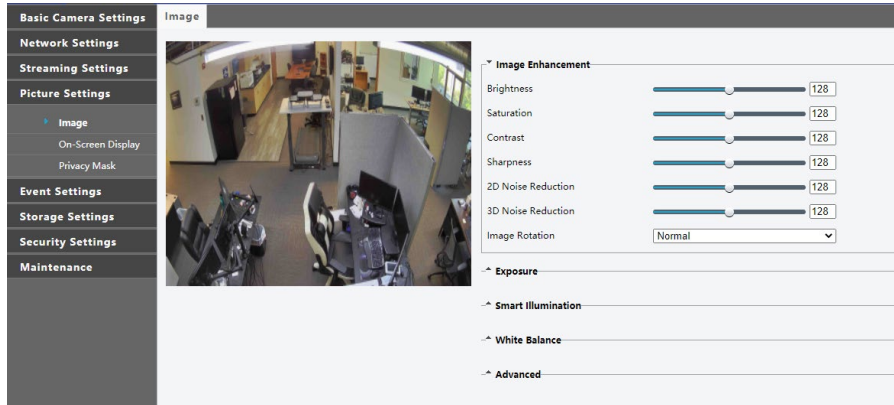


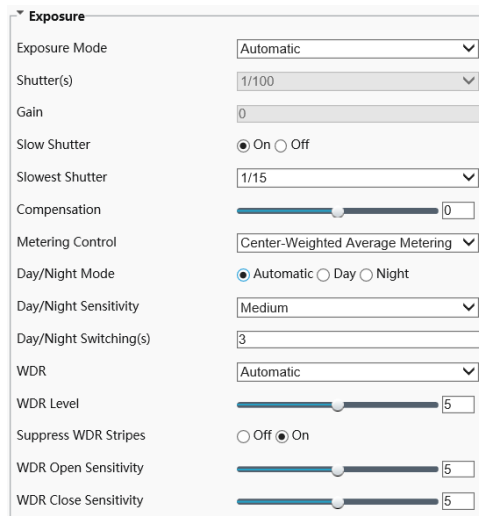
Image Enhancement

Use the sliding scales to adjust the Image settings or set a numeric value in the value box. The dropdown Image Rotation menu will rotate the camera image.



Exposure

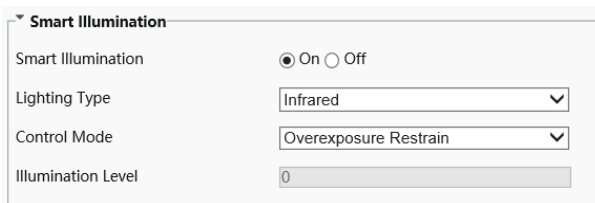
By default, the Exposure Mode is set to Automatic. Other options include Custom, Indoor 50hz, Indoor 60hz, and Manual. Using Custom or Manual allows you to manually configure the shutter and gain control.



Parameter	Description
Exposure Mode	<ul style="list-style-type: none"> • Automatic: The camera automatically adjusts exposure according to the environment. • Custom: The user sets exposure as needed. • Indoor 50Hz: Reduce stripes by limiting shutter frequency. • Indoor 60Hz: Reduce stripes by limiting shutter frequency. • Manual: Finetune image quality by setting shutter, gain and iris manually. • Low Motion Blur: Control the minimum shutter to reduce motion blur in faces captured in motion.
Shutter (s)	<p>Shutter is used to control the light that comes into the lens. A fast shutter speed is ideal for scenes in quick motion. A slow shutter speed is ideal for scenes that change slowly.</p> <p>Note:</p> <ul style="list-style-type: none"> • You can set a shutter speed when Exposure Mode is set to Manual or Shutter Priority. • If Slow Shutter is set to Off, the reciprocal of the shutter speed must be greater than the frame rate.
Gain	<p>Control image signals so that the camera outputs standard video signals according to the light condition.</p> <p>Note: You can set this parameter only when Exposure Mode is set to Manual or Gain Priority.</p>
Slow Shutter	Improves image brightness in low light conditions.
Slowest Shutter	<p>Set the slowest shutter speed that the camera can use during exposure.</p> <p>Note: You can set this parameter only when Slow Shutter is set to On.</p>
Compensation	<p>Adjust the compensation value as required to achieve the desired effects.</p> <p>Note: You can set this parameter only when Exposure Mode is not set to Manual.</p>
Metering Control	<p>Set the way the camera measures the intensity of light.</p> <ul style="list-style-type: none"> • Center-Weighted Average Metering: Measure light mainly in the central part of images. • Evaluative Metering: Measure light in the customized area of images. • Face Metering: Adjust image quality in poor lighting conditions by controlling the brightness of captured face in Face scene. <p>Note: You can set this parameter only when Exposure Mode is not set to Manual.</p>
Day/Night Mode	<p>Automatic: The camera outputs the optimum images according to the light condition. In this mode, the camera can switch between night mode and day mode automatically.</p> <p>Night: The camera provides high-quality black and white images using the existing light</p> <p>Day: The camera provides high-quality color images using the existing light.</p>
Day/Night Sensitivity	<p>Light threshold for switching between day mode and night mode. A higher sensitivity means that the camera is more sensitive to the change of light and becomes more easily to switch between day mode and night mode.</p> <p>Note: You can set this parameter only when Day/Night Mode is set to Automatic.</p>
Day/Night Switching(s)	<p>Set the length of time before the camera switches between day mode and night mode after the conditions for switching are met.</p> <p>Note: You can set this parameter only when Day/Night Mode is set to Automatic.</p>

WDR	Enable WDR to distinguish the bright and dark areas in the same image. Note: You can set this parameter only when Exposure Mode is neither Customize nor Manual and when Image Stabilizer is disabled.
WDR Level	After enabling the WDR function, you can improve the image by adjusting the WDR level. Note: Use level 7 or higher when there is a high contrast between the bright and dark areas of the scene. In the case of low contrast, it is recommended to disable WDR or use level 1-6.
Suppress WDR Stripes	When enabled, the camera can automatically adjust slow shutter frequency according to the frequency of light to minimize stripes that may appear in images.

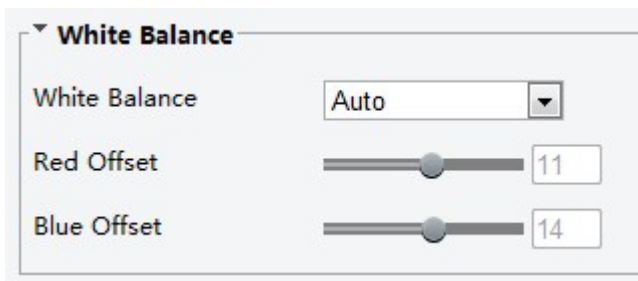
Smart Illumination



Parameter	Description
Lighting Type	<ul style="list-style-type: none"> • Infrared: The camera uses infrared light illumination.
Control Mode	<ul style="list-style-type: none"> • Global Mode: The camera adjusts IR illumination and exposure to achieve balanced image effects. Some areas might be overexposed if you select this option. This option is recommended if monitored range and image brightness are your first priority. • Overexposure Restrain: The camera adjusts IR illumination and exposure to avoid regional overexposure. Some areas might be dark if you select this option. This option is recommended if clarity of the central part of the image and overexposure control are your first priority. • Manual: This mode allows you to manually control the intensity of IR illumination.
Illumination Level	Set the intensity level of the IR light. The greater the value, the higher the intensity. 0 means that the IR light is turned off. Note: You can set this parameter only when Control Mode is set to Manual .

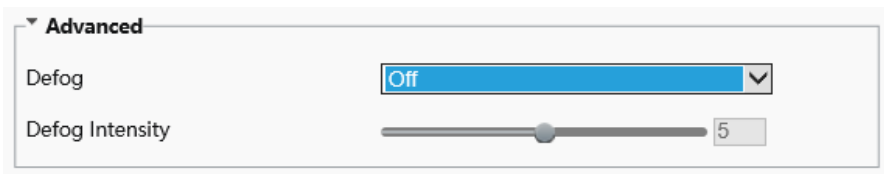
White Balance

White balance is the process of offsetting unnatural color cast in images under different color temperatures so as to output images that best suit human eyes.



Parameter	Description
White Balance	<p>Adjust the red or blue offset of the image:</p> <p>Auto/Auto2: The camera adjusts the red and blue offset automatically according to the light condition (the color tends to be blue). If the images are still unnaturally red or blue in Auto mode, please try Auto2.</p> <p>Fine Tune: Allow you to adjust the red and blue offset manually.</p> <p>Outdoor: Suitable for outdoor environment with a relatively greater color temperature range.</p> <p>Locked: Lock the current color temperature without change.</p> <p>Sodium Lamp: The camera adjusts red and blue offset automatically according to the light condition (the color tends to be red).</p>
Red Offset	<p>Adjust the red offset manually.</p> <p>Note: You can set this parameter only when White Balance is set to Fine Tune.</p>
Blue Offset	<p>Adjust the blue offset manually.</p> <p>Note: You can set this parameter only when White Balance is set to Fine Tune.</p>

Advanced



Defog – Adjust the clarity of images captured in fog or haze conditions.

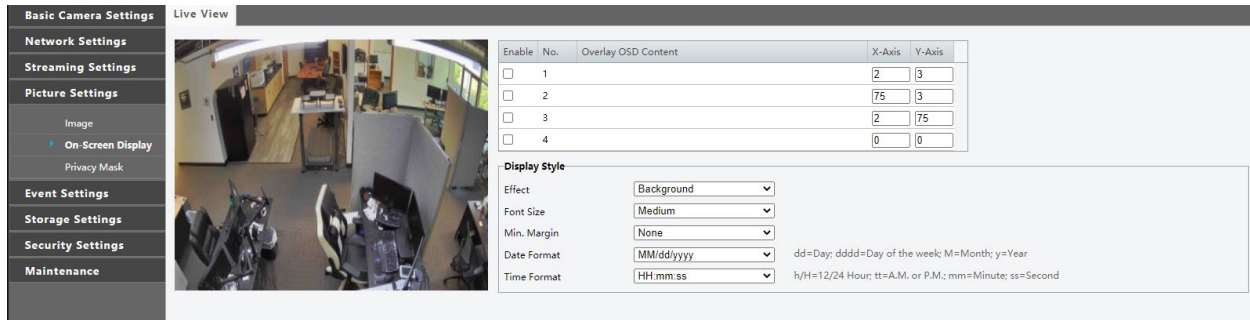
- Use the Defog dropdown menu to turn Defog **On** or **Off**.
- Slide the **Defog Intensity** bar to the desired position (1 is the minimum intensity and 9 is the maximum intensity).



Note The Defog function is only available when WDR is disabled.

On-Screen Display

Up to 4 on-screen displays (OSD) can be configured for the camera image.



The screenshot shows the 'Basic Camera Settings' interface. On the left is a navigation menu with categories: Basic Camera Settings, Network Settings, Streaming Settings, Picture Settings, Event Settings, Storage Settings, Security Settings, and Maintenance. Under 'Picture Settings', 'On-Screen Display' is selected. The main area is titled 'Live View' and contains a camera feed of an office. To the right of the feed is a table for configuring OSDs:

Enable	No.	Overlay OSD Content	X-Axis	Y-Axis
<input type="checkbox"/>	1		2	3
<input type="checkbox"/>	2		75	3
<input type="checkbox"/>	3		2	75
<input type="checkbox"/>	4		0	0

Below the table is the 'Display Style' section with the following settings:

- Effect: Background
- Font Size: Medium
- Min. Margin: None
- Date Format: MM/dd/yyyy
- Time Format: HH:mm:ss

Legend: dd=Day; dddd=Day of the week; M=Month; y=Year; h/H=12/24 Hour; tt=A.M. or P.M.; mm=Minute; ss=Second

To add an on-screen display:

1. Select the position and content of the OSD.
 - a. **Position:** Click the desired box in the Live View area. After the cursor shape is changed, click and hold the button to move the box to the desired position. To set the position precisely, use the X and Y coordinates.
 - b. **Overlay OSD Content:** The drop-down list provides Time, Preset and Serial Info. You may also select Custom and enter the content you want.
2. After you have completed the settings, a message appears to indicate the successful settings.
3. To cancel OSD for an area, clear the OSD content in the Overlay OSD Content column.



Note To view the OSD in the web browser Live View, you must refresh the browser after setting the OSD for the changes to take effect.

Privacy Mask

Add a privacy mask to your camera image to hide desired areas from view.

The screenshot displays the 'Privacy Mask' configuration page. On the left, a camera feed shows a person's face obscured by a black rectangular mask labeled 'Mask1'. On the right, there is a table with the following data:

No.	Name
1	Mask1

Buttons for 'Add' and 'Delete' are located above the table. The sidebar on the left includes categories like 'Basic Camera Settings', 'Network Settings', 'Streaming Settings', 'Picture Settings', 'Event Settings', 'Storage Settings', 'Security Settings', and 'Maintenance', with 'Privacy Mask' currently selected under 'Picture Settings'.

To **add** a privacy mask:

1. Click **Add**.
2. Click and drag the newly generated **mask square** to the desired location on the camera image. Arrange and resize the mask as needed.

To **delete** a privacy mask:

1. Select the desired mask from the Privacy Mask list.
2. Click **Delete**.

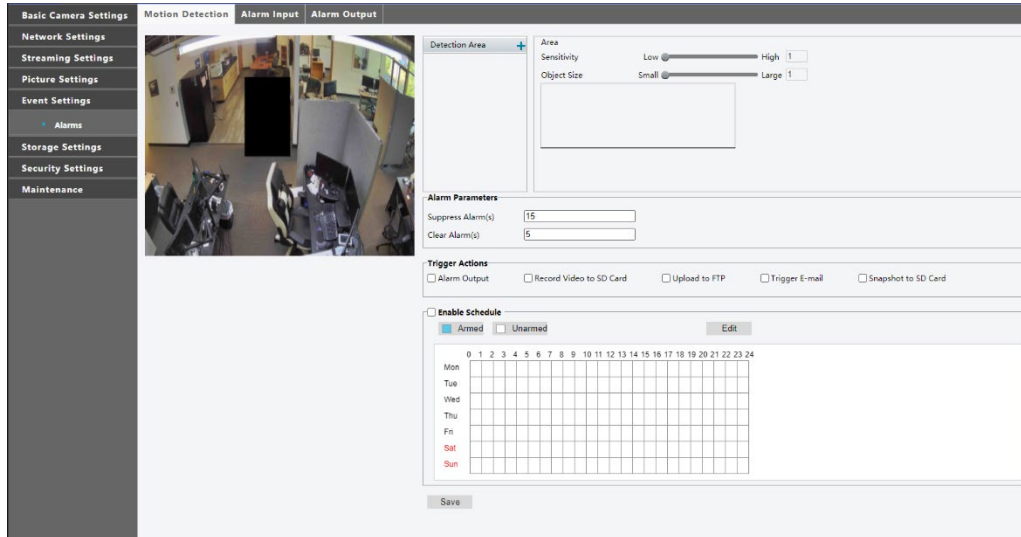
Changes will be saved automatically.

EVENTS SETTINGS

Alarms

Motion Detection

Motion detection is used to detect motion in a specified area during a period of time. The use of motion detection requires setting a detection area, detection sensitivity, object size, and history. When these requirements are met, the motion detection alarm will activate.



To configure Motion Detection:

1. Click and drag the **detection box** to the desired location on the camera image and use the corner markers to adjust the size of the detection box as desired.
2. Use the **Sensitivity** and **Object Size** slider bars to adjust the motion detection parameters as desired.

Sensitivity – This determines how many pixels have to change in order for the alarm to consider motion to have occurred.

Object Size – This determines the area within the camera image that the motion must exceed in order for the alarm to consider motion to have occurred.

Alarm Parameters

Suppress Alarm – After an alarm is triggered, the same alarm will not be reported again within the designated time.

Clear Alarm – After the alarm is triggered:

- a) If the same alarm is not triggered within the set time, the alarm will be cleared, and the same alarm can be reported again.
- b) If the same alarm is triggered within the set time, the alarm will not be cleared until the suppress alarm time expires. Then the same alarm can be reported again.

Select the **Trigger Actions** to occur once the motion detection alarm has been triggered.

Trigger Actions

Alarm Output - This setting is the alarm output interface linked to motion detection alarm.

Note When an alarm is reported, the camera triggers alarm output to trigger actions by a third-party device.

Record Video to SD Card - With Record Video to SD Card selected, the camera will automatically upload video to the microSD card when an alarm is triggered.

Note This option is only available if the camera has a microSD card installed.

Upload to FTP - With Upload to FTP selected, the camera will automatically upload snapshots to the specified FTP server when an alarm is triggered.

Note Make sure you have completed FTP and Snapshot before using this function.

Trigger E-mail - With Trigger E-mail selected, the camera will automatically send snapshots to the specified E-mail address when an alarm is triggered.

Note Make sure you have completed E-Mail setup before using this function.

Snapshot to SD Card - With Snapshot to SD Card selected, the camera will automatically upload snapshots to the microSD card when an alarm is triggered.

Note This option is only available if the camera has a microSD card installed.

Enable Schedule

Select the check box and set the start and end times during which motion detection alarm is enabled. You can directly drag the mouse to draw a plan and click Edit to edit time periods in the table. The camera reports alarms during the specified period(s) only. You can select from Monday to Sunday and set four periods for each day.

Save

Alarm Input

The screenshot shows the 'Alarm Input' configuration page. It includes a sidebar with navigation options: Basic Camera Settings, Network Settings, Streaming Settings, Picture Settings, Event Settings, Alarms (selected), Storage Settings, Security Settings, and Maintenance. The main content area is titled 'Alarm Input' and contains the following fields and options:

- Select Alarm:** A dropdown menu showing 'Alarm Input 1'.
- Alarm Name:** A text input field containing '1'.
- Alarm ID:** An empty text input field.
- Alarm Type:** A dropdown menu showing 'N.O.'.
- Alarm Input:** Radio buttons for 'On' and 'Off', with 'Off' selected.
- Trigger Actions:** A row of checkboxes for 'Alarm Output', 'Record Video to SD Card', 'Upload to FTP', 'Trigger E-mail', and 'Snapshot to SD Card', all of which are currently unchecked.
- Enable Schedule:** A section with 'Armed' and 'Unarmed' checkboxes, and an 'Edit' button.
- Calendar:** A grid showing days of the week (Mon, Tue, Wed, Thu, Fri, Sat, Sun) and hours (0-24).
- Save:** A button at the bottom of the page.

To configure Alarm Input:

1. **Select Alarm, Alarm Name and Alarm ID.**
2. Select **N.O.** or **N.C.** according to the type of the third-party alarm input device (For example, if the third-party alarm input device is normally open, you need to select N.O. here) so that the camera can receive alarm information.

3. Set actions to be triggered by an input alarm and the plan. For the detailed steps, see the descriptions of triggered actions in *Configuring Motion Detection Alarm*.
4. **Save**

Alarm Output

After an alarm output is triggered by a motion detection alarm, audio alarm, or other third-party configured alarm, the camera can trigger an alarm output to a third-party device.

To configure Alarm Output:

1. **Select Alarm** and the **Alarm Name**.
2. Select **N.O.** as the **Default Status** and set the **Delay**.
3. If desired, **Enable Schedule**. See the *Motion Detection* section for more information about the Alarm Schedule.
4. **Save**

Caution Follow the power-on sequence for alarm output third-party devices and cameras carefully to avoid damaging camera components.

Check that the alarm Status is set to **N.O.** (default setting), and that the camera and the alarm output device are powered off.

After completing the connection, power on the alarm output device first, and then power on the camera.

STORAGE SETTINGS

Storage

OpenEye IP cameras include an integrated microSD™ card (Memory Card) slot that can be used to record video or images. The card slot is compatible with a microSD™ card up to 512GB.

The screenshot shows the 'Storage' settings page. On the left is a sidebar with categories: Basic Camera Settings, Network Settings, Streaming Settings, Picture Settings, Event Settings, Storage Settings, Security Settings, and Maintenance. The 'Storage Settings' category is selected and expanded, showing sub-sections: Storage, JPEG Download, and Recording Download. The main content area displays the following settings:

- Storage Medium:** Memory Card (dropdown menu)
- Format:** Enable
- Storage Medium Status:** No card
- Total Capacity:** 0 MB, **Free Space:** 0 MB.
- Allocate Capacity:**
 - Video(MB):** 0 (input field) (The remaining capacity is used for image storage.)
 - Common Snapshot(MB):** 0 (input field)
- Video Storage Info:**
 - Storage Policy:** Manual Storage Planned Storage Off
 - When Storage Full:** Overwrite Stop
 - Post-Record(s):** 60 (input field)
- Save** button

Note Formatting the microSD card causes the camera to restart

Note Camera date and time must be synced with system or server to insure accurate recording timestamps

Format

To format the memory card, check **Enable** and to confirm the operation. The system will restart when the format is completed.

Allocate Capacity

Video (MB) – Enter the amount of storage space to be allocated only to video recordings.

Common Snapshot (MB) – This is the remaining storage after video recordings which will be used to store snapshot images.

Video Storage Info

Storage Policy

Manual Storage – records video to the SD card continuously.

Planned Storage – camera records video to the memory card during the specified periods. (shown below)

Off – No recorded video will be saved to the SD card.

When Storage Full

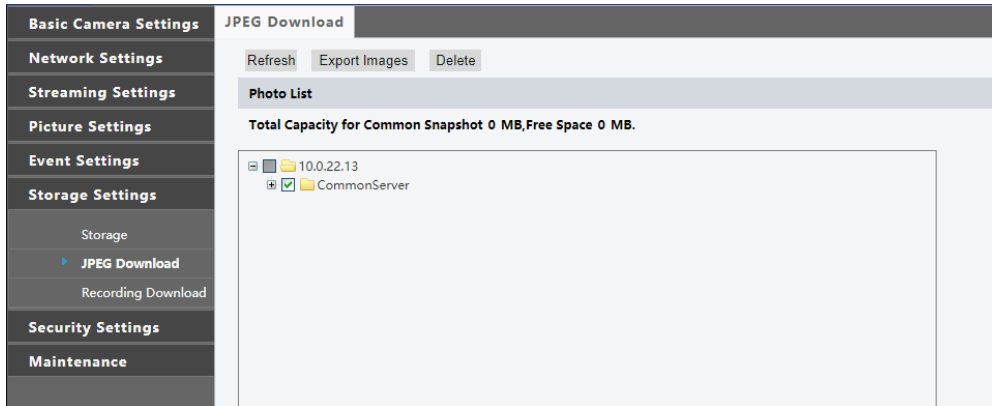
Overwrite – When the SD card is full, new data will begin overwriting oldest data.

Stop – When the SD card is full, video recording will stop writing to the SD card.

Post-Record(s) – For alarm-triggered recording; this is the length of time (seconds) that recording continues after the end of the alarm. Enter an integer range of [30–1800].

Save

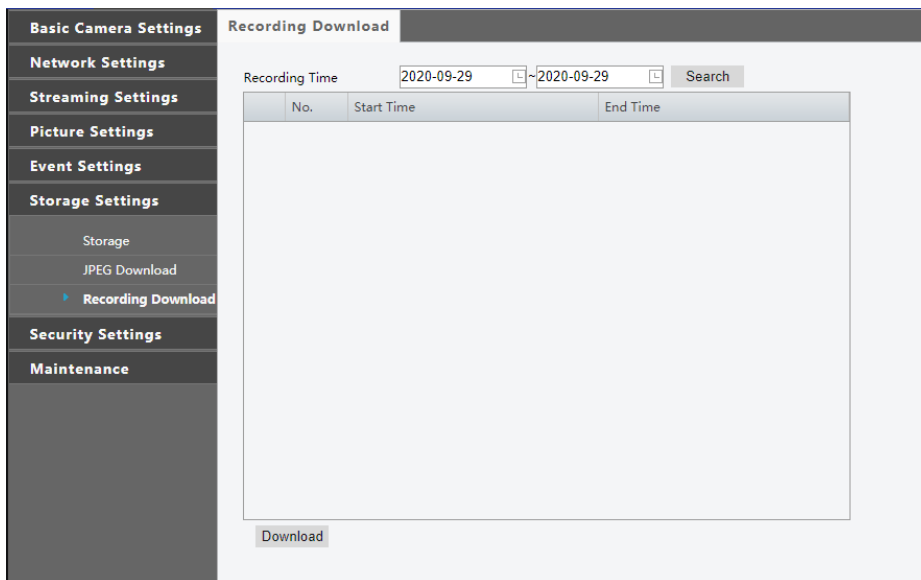
JPEG Download



Use Export Images to download snapshots taken by the camera. Refresh the list to update Photo List or Delete to delete images from the selected folder.

Recording Download

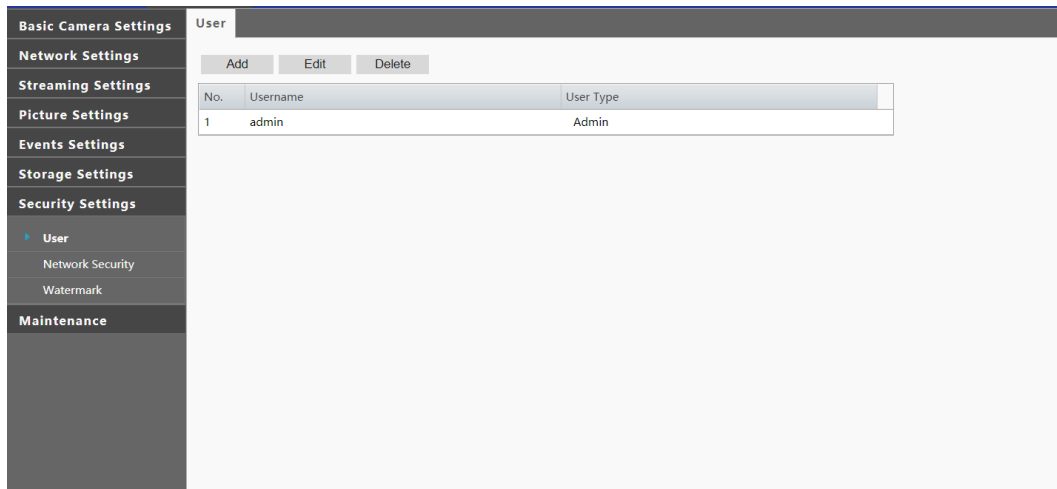
Recording download page allows you to search a selected date range for video and snapshots recorded to the microSD card.



1. Search for video within a specified period. The results will be shown in a list below.
2. Select your video and click **Download**.

SECURITY SETTINGS

User



There are two types of users:

Administrator – referred to as “admin” in this manual. The default name of the administrator is **admin**, which cannot be modified. Admin has full permission and can manage all users and devices. Only one admin user is allowed.

Common User – referred to as “user” in this manual. User only has permission to play live and recorded video.

Up to 20 common users are allowed.

Add

Username and passwords are limited to 32 characters with no spaces permitted. There is a maximum of twenty user accounts.

1. Type the new **Username** and **User Type**.
2. Type a **Password**, and then confirm the password.
3. **Save**

Edit

1. Select the **Username** on the **User list**.
2. Click **Edit**.
3. Modify the password in the resulting window.
4. **Save**

Delete

1. Select the **Username** on the **User list**.
2. Click **Delete** to remove the user.
3. Click **OK** in the confirmation window.

Network Security

You can use the Network Security tab to set a secure channel for data transmission.

No.	IP Address

To configure Network Security:

1. Enable HTTPS by selecting **On** or click **Browse** to upload your custom **SSL certificate** if desired.
2. **Save**

RTSP and HTTP Authentication

Use the **Authentication** dropdown menus to select the appropriate mode, and then click **Save**.

IP Address Filtering

IP Address filtering allows you to forbid access from specified IP addresses to your camera.

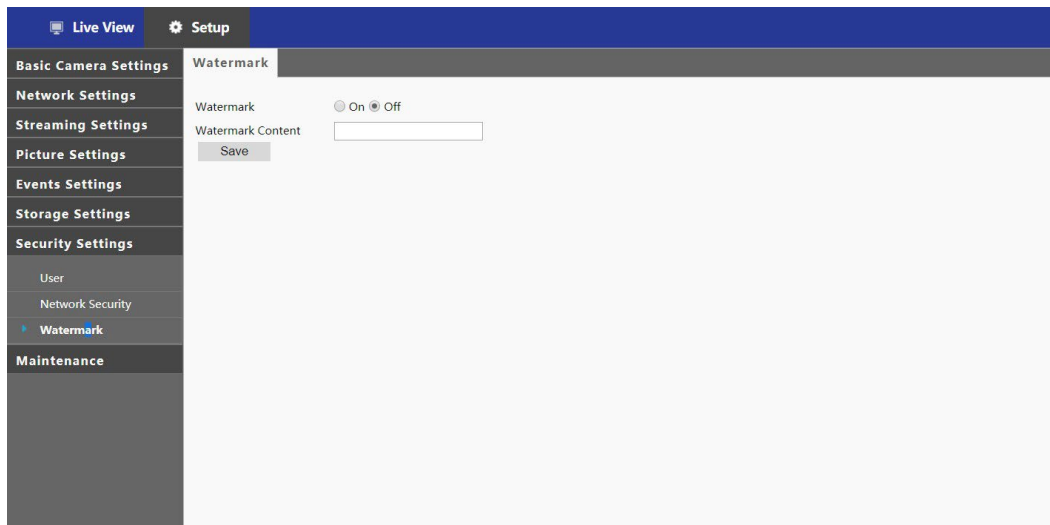
1. Select **On**.
2. Select a **Filtering Mode**, and then click the **+** symbol to add the desired IP addresses to the list.
3. **Save**



Note If the Filtering Mode is set to **Whitelist**, only the specified IP addresses can access the camera. If the Filtering Mode is set to **Deny Access**, the specified IP addresses are denied access. Up to 32 IP addresses can be added to the list.

Watermark

Use the Video Watermark to encrypt the camera image and protect the video from being deleted or modified.

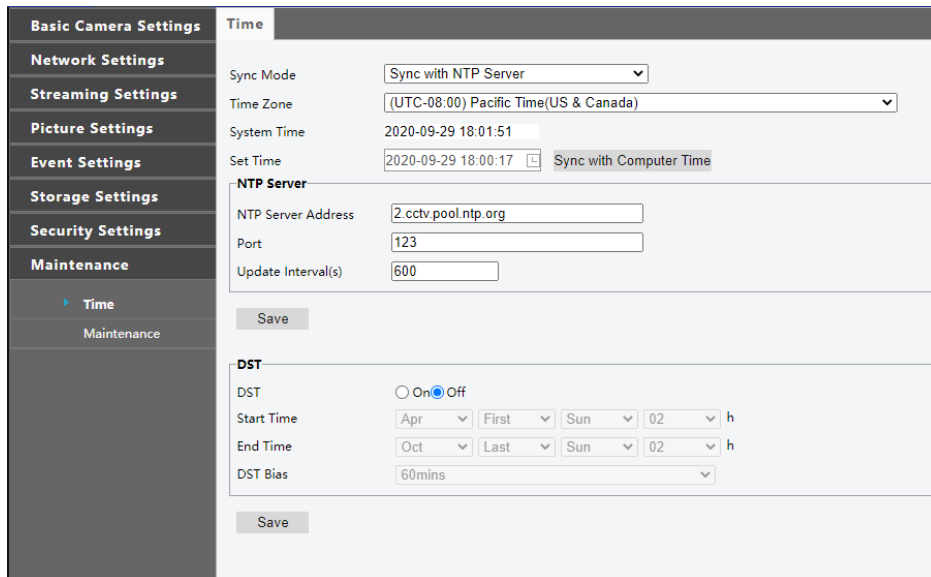


The screenshot shows the 'Watermark' settings page. On the left is a navigation menu with categories: Basic Camera Settings, Network Settings, Streaming Settings, Picture Settings, Events Settings, Storage Settings, Security Settings, User, Network Security, Watermark (selected), and Maintenance. The main content area has a 'Watermark' section with a radio button for 'On' (selected) and 'Off'. Below it is a text input field for 'Watermark Content' and a 'Save' button.

1. Select **On** to enable watermark, and input **Watermark Content**.
2. **Save**

MAINTENANCE

Time



The screenshot shows the 'Time' settings page. The left navigation menu includes: Basic Camera Settings, Network Settings, Streaming Settings, Picture Settings, Event Settings, Storage Settings, Security Settings, Maintenance, Time (selected), and Maintenance. The main content area has a 'Time' section with a dropdown for 'Sync Mode' (set to 'Sync with NTP Server'), a dropdown for 'Time Zone' (set to '(UTC-08:00) Pacific Time(US & Canada)'), a text input for 'System Time' (2020-09-29 18:01:51), and a 'Set Time' section with a date-time input (2020-09-29 18:00:17) and a 'Sync with Computer Time' button. Below is an 'NTP Server' section with inputs for 'NTP Server Address' (2.cctv.pool.ntp.org), 'Port' (123), and 'Update Interval(s)' (600), followed by a 'Save' button. At the bottom is a 'DST' section with radio buttons for 'On' and 'Off' (selected), and dropdowns for 'Start Time' (Apr, First, Sun, 02 h), 'End Time' (Oct, Last, Sun, 02 h), and 'DST Bias' (60mins), followed by a 'Save' button.

By default, the time setting **Sync Mode** will be set to **Sync with NTP Server**.

Manually Setting or Synchronizing the System Time

1. Select a **Sync Mode**.
2. Set the correct **Time Zone** and **System Time**. You may also click **Sync with Computer Time** to synchronize the time settings of your camera with that of your PC.
3. **Save**

Synchronizing with the NTP Server

1. Set **Sync Mode** to **Sync with NTP Server**, and then set the **NTP Server Address**, **Port** and **Update Interval(s)**.
2. Click **Save**. The camera will periodically synchronize time with the NTP server.

Setting the DST

1. Select **On** for **DST**, set the **Start Time**, **End Time**, and **DST Bias**.
2. **Save**

Maintenance

Basic Camera Settings	Maintenance
Network Settings	Software Upgrade
Streaming Settings	Local Upgrade <input type="text"/> <input type="button" value="Browse..."/> <input type="button" value="Upgrade"/>
Picture Settings	Config Management
Event Settings	<input type="button" value="Default"/> <input type="checkbox"/> Restore all settings to defaults without keeping current network and user settings.
Storage Settings	Importing <input type="text"/> <input type="button" value="Browse..."/> <input type="button" value="Import"/>
Security Settings	Exporting <input type="button" value="Export"/>
Maintenance	Diagnosis Info
Time	Export Diagnosis Info <input type="button" value="Export"/>
▶ Maintenance	<input checked="" type="checkbox"/> Collect Image Debugging Info
	Device Restart
	<input type="button" value="Restart"/> Restart device

Software Upgrade

To update your camera software, click **Browse**, select the software file, click **Open**, and then click **Upgrade**.



Note The software file must be a .zip file.

Device Restart

This will restart your camera.

Config Management

1. To import configurations that you have backed up, click **Browse**, select the configuration file, and then click **Import**.
2. To export current system configurations, click **Export**.
3. To restore default configurations, click **Default** and then confirm the operation. The device will restart and restore the default configurations. Clicking **Default** with the check box selected will default all camera and camera network settings.

Diagnosis Info

Diagnostic Information includes logs and system configuration. You can export diagnostic information to your PC.



Note Diagnostic information is exported to the local folder as a compressed file. You will need to decompress the file, and then open the file using a text editor.

www.openeye.net
1-888-542-1103

© 2022 OpenEye

All rights reserved. No part of this publication may be reproduced by any means without written permission from OpenEye. The information in this publication is believed to be accurate in all respects. However, OpenEye cannot assume responsibility for any consequences resulting from the use thereof. The information contained herein is subject to change without notice. Revisions or new editions to this publication may be issued to incorporate such changes.