

**LINE CROSSING ANALYTICS**

Detect a person or vehicle matching specified parameters crossing a user-defined line



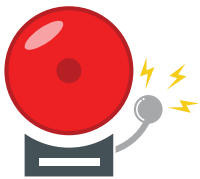
**PERSON/VEHICLE ANALYTICS**

Detect a person or vehicle matching specified parameters entering a user-defined area



**CORRIDOR MODE**

Optimize monitoring for vertical spaces such as hallways, stairs, tunnels and roads



**ALARM I/O**

Connect external sensors and other devices directly to the camera



**ADAPTIVE IR LEDs**

Adaptive IR technology for clear pictures in total darkness



**TWO-WAY AUDIO**

Receive and transmit audio through the camera

## CAMERA SPECIFICATIONS

IMAGE	
Image sensor	1/3", 4MP, Progressive Scan, CMOS
Shutter	Auto/Manual; 1 ~ 1/100000s
Lens	2.7 ~ 13.5mm, VF, AF, Motorized Zoom Lens
Max Resolution	2688x1520
Aspect Ratio	16:9
Field of View	103° ~ 30°
Remote Focus/Zoom	Auto / Manual   4X Optical Zoom
Day/Night	True Day / Night w/ IR-Cut Filter
Wide Dynamic Range (WDR)	True WDR @ 4MP; 120dB
IR	Adaptive IR; up to 164'
Analytics	Person, Vehicle, and Line Crossing Analytics

VIDEO CONTROL	
Video Streams	2
Compression	H.264 / H.265 / MJPEG
Max Frame rate	Primary Stream: 30FPS @ 2688x1520
Day/Night	Auto / Day / Night
White Balance	Auto / Manual / Scene
OSD	Up to 8 OSDs
ROI	Up to 8 areas
Motion Detection	Up to 4 areas
Privacy Masking	Up to 4 areas
Image Rotation	Flip Vertical, Flip Horizontal, 180°, 90° Clockwise, 90° Counter-clockwise

AUDIO	
Audio In/Out	1 / 1
Compression	G.711A, G.711U
Two-way audio	Yes
Suppression	Yes

HARDWARE	
Housing / Dome Cover	Aluminum / Polycarbonate
Ingress Protection	IP67
Impact Rating	IK10
Dimensions	9.5" x 3.4" x 3.0" (240 x 86 x 76mm)
Weight	2.2lb (1.0kg)
Alarm In / Relay Out	1 / 1
Pan / Tilt / Rotate	<b>Pan:</b> 0° ~ 360° <b>Tilt:</b> 0° ~ 90° <b>Rotate:</b> 0° ~ 360°
Country of Origin	China
NDAA Compliant	Yes

## CAMERA SPECIFICATIONS (CONTINUED)

NETWORK	
Connector	RJ45
Network	10/100Mbps
ONVIF®	Profile S / G / T Compliant

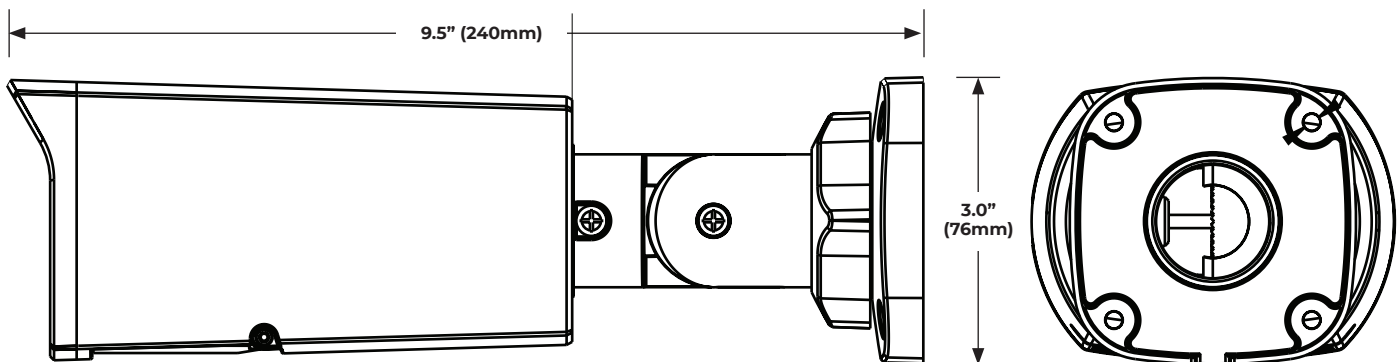
POWER	
Power Consumption	Max 8.5W
Power Source	PoE (IEEE 802.3af) / DC 12V±25%

ENVIRONMENTAL	
Operating Environment	-22°F ~ 140°F (-30°C~60°C)
Humidity	≤95% RH (non-condensing)

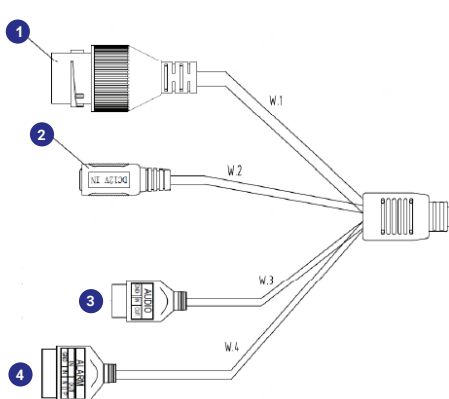
STORAGE	
Onboard Storage	MicroSD card; Up to 512GB
Network	Supported

CERTIFICATIONS	
Certifications	UL / CE / FCC Class A

## DIMENSIONS

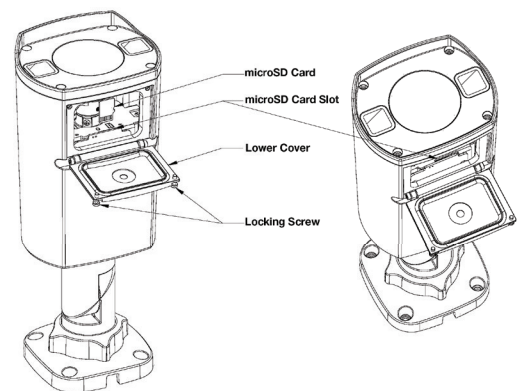


## CONNECTIONS



1	RJ-45	For network and PoE connections
2	Power (12vDC)*	Power connection
3	Audio I/O	Ground
		Audio In Audio Out
4	Alarm I/O	Ground
		Alarm In
		Alarm Out -
		Alarm Out +

\*12vDC power input port should be plugged when not in use.



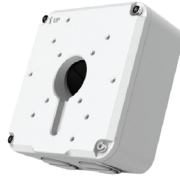
## ACCESSORIES

---



Indoor/Outdoor 7" Junction Box  
**OE-CA00JB-01**

---



Indoor/Outdoor 7" Junction Box  
**OE-CA00JB-01**



Pole Mount Kit  
**OE-CA00PMK-01**

---