

LINE CROSSING ANALYTICS

Detect a person or vehicle matching specified parameters crossing a user-defined line



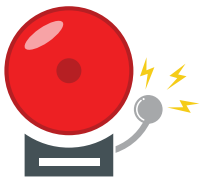
PERSON/VEHICLE ANALYTICS

Detect a person or vehicle matching specified parameters entering a user-defined area



CORRIDOR MODE

Optimize monitoring for vertical spaces such as hallways, stairs, tunnels and roads



ALARM I/O

Connect external sensors and other devices directly to the camera



ADAPTIVE IR LEDs

Adaptive IR technology for clear pictures in total darkness



TWO-WAY AUDIO

Receive and transmit audio through the camera

CAMERA SPECIFICATIONS

IMAGE	
Image sensor	1/2.8", 8MP, Progressive Scan, CMOS
Shutter	Auto/Manual; 1 ~ 1/100000s
Lens	2.8 ~ 12mm, VF, AF, Motorized Zoom Lens
Max Resolution	3840x2160
Aspect Ratio	16:9
Field of View	105° ~ 31°
Remote Focus/Zoom	Auto / Manual 4X Optical Zoom
Day/Night	True Day / Night w/ IR-Cut Filter
Wide Dynamic Range (WDR)	True WDR @ 8MP; 120dB
IR	Adaptive IR; up to 164'
Analytics	Person, Vehicle, and Line Crossing Analytics

VIDEO CONTROL	
Video Streams	2
Compression	H.264 / H.265 / MJPEG
Max Frame rate	Primary Stream: 20FPS @ 3840x2160
Day/Night	Auto / Day / Night
White Balance	Auto / Manual / Scene
OSD	Up to 8 OSDs
ROI	Up to 8 areas
Motion Detection	Up to 4 areas
Privacy Masking	Up to 4 areas
Image Rotation	Flip Vertical, Flip Horizontal, 180°, 90° Clockwise, 90° Counter-clockwise

AUDIO	
Audio In/Out	1 / 1
Compression	G.711A, G.711U
Two-way audio	Yes
Suppression	Yes

HARDWARE	
Housing / Dome Cover	Metal
Ingress Protection	IP67
Impact Rating	IK10
Dimensions	9.5" x 3.4" x 3.0" (240 x 86 x 76mm)
Weight	2.2lb (1.0kg)
Alarm In / Relay Out	1 / 1
Pan / Tilt / Rotate	Pan: 0° ~ 360° Tilt: 0° ~ 90° Rotate: 0° ~ 360°
Country of Origin	China
NDAA Compliant	Yes

CAMERA SPECIFICATIONS (CONTINUED)

NETWORK	
Connector	RJ45
Network	10/100Mbps
ONVIF®	Profile S / G / T Compliant

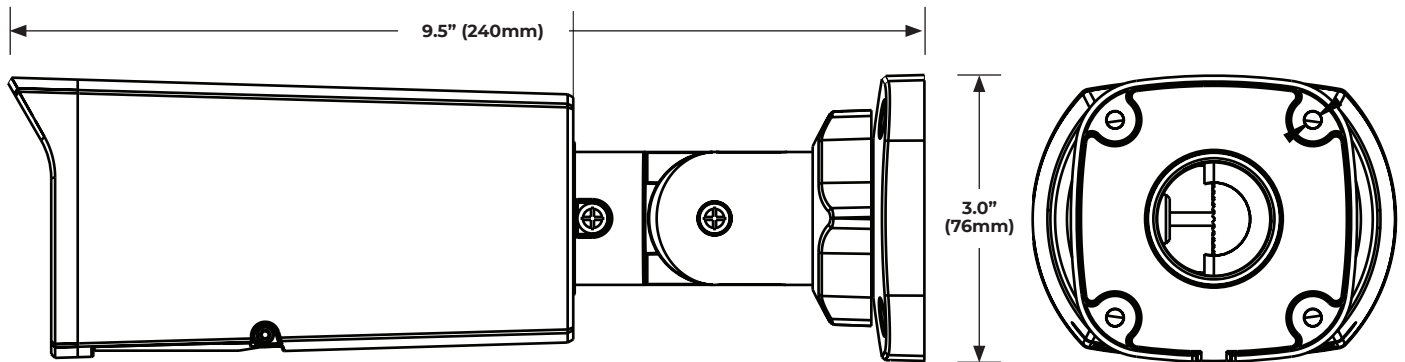
POWER	
Power Consumption	Max 9.5W
Power Source	PoE (IEEE 802.3af) / DC 12V±25%

ENVIRONMENTAL	
Operating Environment	-22°F ~ 140°F (-30°C~60°C)
Humidity	≤95% RH (non-condensing)

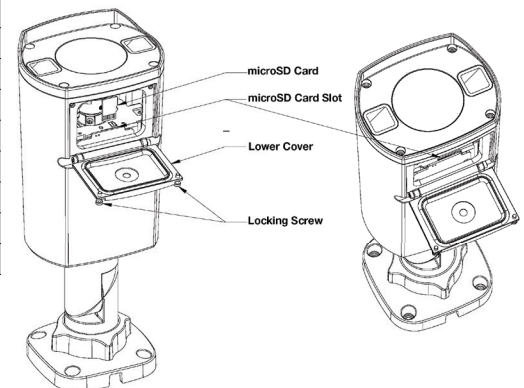
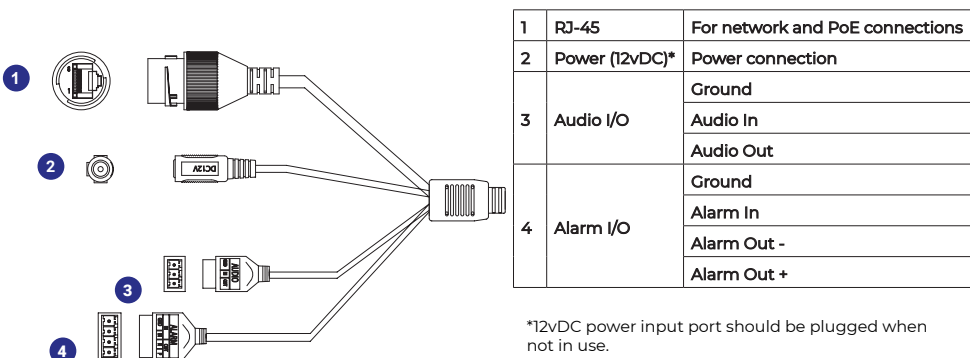
STORAGE	
Onboard Storage	MicroSD card; Up to 512GB
Network	Supported

CERTIFICATIONS	
Certifications	UL / CE / FCC Class A

DIMENSIONS



CONNECTIONS



ACCESSORIES



Indoor/Outdoor 7" Junction Box
OE-CA00JB-01



Indoor/Outdoor 7" Junction Box
OE-CA00JB-01



Pole Mount Kit
OE-CA00PMK-01
