



LINE CROSSING ANALYTICS

Detect a person or vehicle matching specified parameters crossing a user-defined line



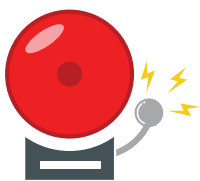
PERSON/VEHICLE ANALYTICS

Detect a person or vehicle matching specified parameters entering a user-defined area



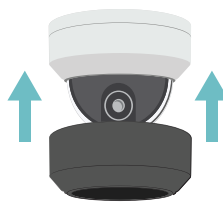
CORRIDOR MODE

Optimize monitoring for vertical spaces such as hallways, stairs, tunnels and roads



ALARM I/O

Connect external sensors and other devices directly to the camera



PAINTABLE COVER

Optional snap-on cover is paintable to match the color of its surroundings



TWO-WAY AUDIO

Receive and transmit audio through the camera

CAMERA SPECIFICATIONS

IMAGE	
Image sensor	1/2.7", 4MP, Progressive Scan, CMOS
Shutter	Auto/Manual; 1 ~ 1/100000s
Lens	2.7 ~ 13.5mm, VF, AF, Motorized Zoom Lens
Max Resolution	2688x1520
Aspect Ratio	16:9
Field of View	103° ~ 32°
Remote Focus/Zoom	Auto / Manual 4X Optical Zoom
Day/Night	True Day / Night w/ IR-Cut Filter
Wide Dynamic Range (WDR)	True WDR @ 4MP; 120dB
IR	Adaptive IR; up to 98'
Analytics	Person, Vehicle, and Line Crossing Analytics

VIDEO CONTROL	
Video Streams	2
Compression	H.264 / H.265 / MJPEG
Max Frame rate	Primary Stream: 30FPS @ 2688x1520
Day/Night	Auto / Day / Night
White Balance	Auto / Manual / Scene
OSD	Up to 8 OSDs
ROI	Up to 8 areas
Motion Detection	Up to 4 areas
Privacy Masking	Up to 4 areas
Image Rotation	Flip Vertical, Flip Horizontal, 180°, 90° Clockwise, 90° Counter-clockwise

AUDIO	
Audio In/Out	1 / 1 Built-in mic
Compression	G.711A, G.711U
Two-way audio	Yes
Suppression	Yes

NETWORK	
Connector	RJ45
Network	10/100Mbps
ONVIF®	Profile S / G / T Compliant

HARDWARE	
Housing / Dome Cover	Plastic / Polycarbonate
Dimensions	Ø4.9" x 3.9" (Φ126 x 100mm)
Weight	1.3lb (0.59kg)
Alarm In / Relay Out	1 / 1
Pan / Tilt / Rotate	Pan: 0° ~ 356° Tilt: 0° ~ 70° Rotate: 0° ~ 356°
Country of Origin	China
NDAA Compliant	Yes

CAMERA SPECIFICATIONS (CONTINUED)

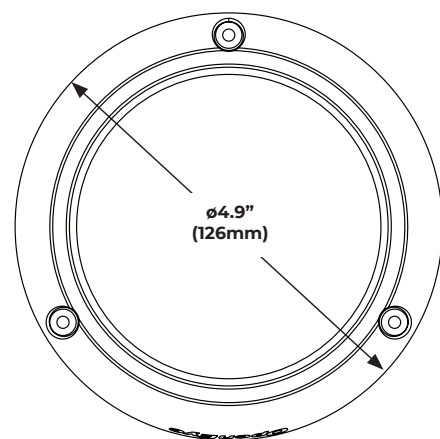
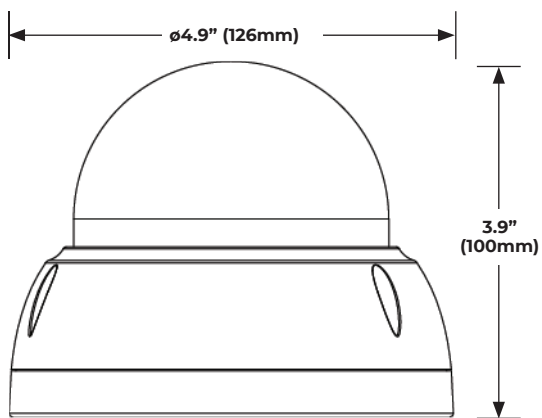
POWER	
Power Consumption	Max 6.5W
Power Source	PoE (IEEE 802.3af) / DC 12V±25%

ENVIRONMENTAL	
Operating Environment	-22°F ~ 131°F (-30°C~55°C)
Humidity	≤95% RH (non-condensing)

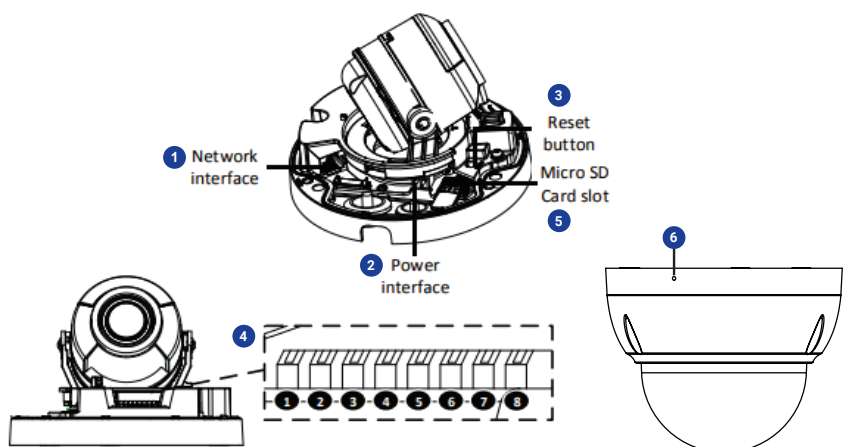
STORAGE	
Onboard Storage	MicroSD card; Up to 512GB
Network	Supported

CERTIFICATIONS	
Certifications	UL / CE / FCC Class A

DIMENSIONS



CONNECTIONS



1	RJ-45	-	For network and PoE connections
2	Power (12VDC)	1	12VDC +
		2	GND -
		Power Connection	
3	Reset Button	-	To restore the camera to factory defaults: 1. Disconnect power for 30 seconds. 2. Reconnect power and wait 30 seconds. 3. Press and hold the reset button for 20 seconds.
4	Alarm & Audio I / O	1	Alarm Out -
		2	Alarm Out +
		3	GND
		4	Alarm In
		5	GND
		6	Audio In
		7	GND
		8	Audio Out
		Alarm connection	
		Ground connection	
		Alarm connection	
		Ground connection	
		Two-way audio transmission	
		Ground Connection	
		Two-way audio transmission	
5	microSD Card Slot	-	Supports up to 512GB microSD card for Edge storage. Do not add or remove the microSD card when the camera is powered on.
6	Built-in microphone		

ACCESSORIES



30-Series Junction Box
OE-CA30JB-01



30-Series Pendant Cap
OE-CA30PC-01



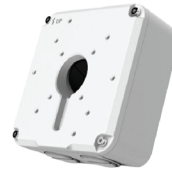
30-Series Wall Mount
OE-CA30WM-01



Paintable Dome Cover
OE-CA00PDC-03



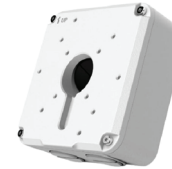
30-Series Wall Mount
OE-CA30WM-01



Indoor/Outdoor 7" Junction Box
OE-CA00JB-01



30-Series Wall Mount
OE-CA30WM-01



Indoor/Outdoor 7" Junction Box
OE-CA00JB-01



Pole Mount Kit
OE-CA00PMK-01



30-Series Pendant Cap
OE-CA30PC-01



Ceiling-Mounted Pole
OE-CA00CMP-01



30-Series Pendant Cap
OE-CA30PC-01



Indoor/Outdoor Wall Mount
OE-CA00WM-01



30-Series Pendant Cap
OE-CA30PC-01



Indoor/Outdoor Wall Mount
OE-CA00WM-01



Corner Mount
OE-CA00CM-01



30-Series Pendant Cap
OE-CA30PC-01



Indoor/Outdoor Wall Mount
OE-CA00WM-01



Pole Mount Kit
OE-CA00PMK-02