

# *OpenEye*<sup>®</sup>

The Cloud Video Platform

## **4MP OUTDOOR DOME CAMERA**

HARDWARE MANUAL



OE- C3014D4 4MP Outdoor Dome Camera  
User Manual

Manual Edition 37582AC – May 2021

©2021, OPENEYE  
All Rights Reserved.

No part of this documentation may be reproduced in any means, electronic or mechanical, for any purpose, except as expressed in the Software License Agreement. OpenEye shall not be liable for technical or editorial errors or omissions contained herein. The information in this document is subject to change without notice.

The information in this publication is provided “as is” without warranty of any kind. The entire risk arising out of the use of this information remains with recipient. In no event shall OPENEYE be liable for any direct, consequential, incidental, special, punitive, or other damages whatsoever (including without limitation, damages for loss of business profits, business interruption or loss of business information), even if OPENEYE has been advised of the possibility of such damages and whether in an action or contract or tort, including negligence.

This documentation is copyrighted. All other rights are reserved to OPENEYE. OPENEYE, and OpenEye, are registered trademarks of OPENEYE in the United States and elsewhere; Windows, and Windows XP Embedded are registered trademarks of Microsoft Corporation. All other brand and product names are trademarks or registered trademarks of the respective owners.

OPENEYE  
Liberty Lake, WA • U.S.A.

---

## Important Safeguards

---

### **Read Instructions**

Read all of the safety and operating instructions before using the product.

### **Retain Instructions**

Save these instructions for future reference.

### **Attachments / Accessories**

Do not use attachments or accessories unless recommended by the appliance manufacturer as they may cause hazards, damage product and void warranty.

### **Installation**

Do not place or mount this product in or on an unstable or improperly supported location. Improperly installed product may fall, causing serious injury to a child or adult, and damage to the product. Use only with a mounting device recommended by the manufacturer or sold with the product. To insure proper mounting, follow the manufacturer's instructions and use only mounting accessories recommended by manufacturer.

### **Power source**

This product should be operated only from the type of power source indicated on the marking label.

---

## Precautions

---

### **Operating**

Before using, make sure power supply and others are properly connected.

While operating, if any abnormal condition or malfunction is observed, stop using the camera immediately and then contact your local dealer.

### **Handling**

Do not disassemble or tamper with parts inside the camera.

Do not drop or subject the camera to shock and vibration as this can damage camera.

Care must be taken when you clean the clear dome cover. Scratches and dust will ruin the image quality of your camera. Do not use strong or abrasive detergents when cleaning the camera body. Use a dry cloth to clean the camera when it is dirty. In case the dirt is hard to remove, use a mild detergent and wipe the camera gently.

## Installation and Storage

Do not install the camera in areas of extreme temperatures in excess of the allowable range; install the camera in areas with temperatures within the camera's operating temperature, including the following: -31°F ~ 140°F (-35°C ~ 60°C)

Avoid installing in humid or dusty places. The relative humidity must be below 95%.

Avoid installing in places where radiation is present.

Avoid installing in places where there are strong magnetic fields and electric signals.

Avoid installing in places where the camera would be subject to strong vibrations.

Never face the camera toward the sun. Do not aim at bright objects. Whether the camera is in use or not, never aim it at the sun or other extremely bright objects. Otherwise the camera may be smeared and damaged.

## Cleaning

If the video image becomes blurry or smudged in areas, it may be because the lens cover requires cleaning.

### To clean the lens cover:

- Use hand soap or a non-abrasive detergent to wash off dirt or fingerprints.
- Use a microfiber cloth or non-abrasive fabric to dry the dome bubble.
  - **Important:** Failure to use the recommended cleaning materials may result in a damaged or scratched lens cover. A damaged lens cover may negatively impact image quality and cause unwanted IR light reflecting into the lens.

### To clean the camera body:

- Use a dry or lightly dampened cloth to clean the camera body.
- Do not use strong or abrasive detergents.

---

## Regulation

---

This device complies with Part 15 of the FCC Rules. Operation is subject to the following two conditions: (1) this device may not cause harmful interference, and (2) this device must accept any interference received, including interference that may cause undesired operation.

Compliance is evidenced by written declaration from our suppliers, assuring that any potential trace contamination levels of restricted substances are below the maximum level set by EU Directive 2002/95/EC, or are exempted due to their application.

---

**Warning**

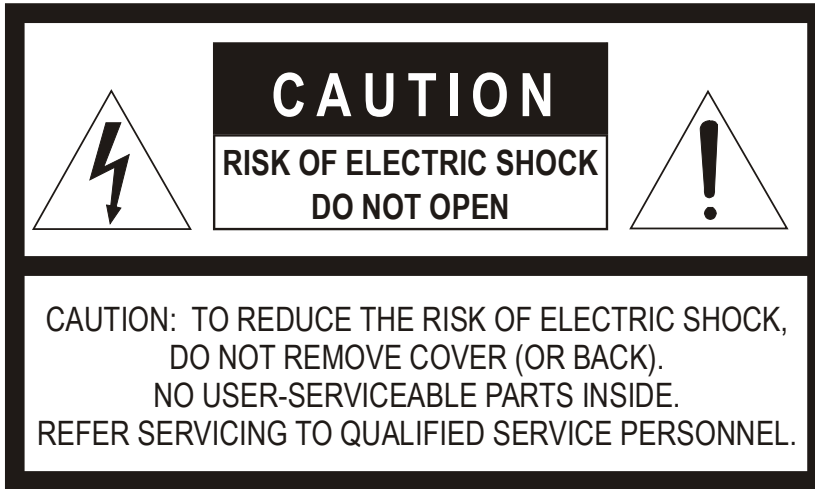
---

DANGEROUS HIGH VOLTAGES ARE PRESENT INSIDE THE ENCLOSURE.  
DO NOT OPEN THE CABINET.  
REFER SERVICING TO QUALIFIED PERSONNEL ONLY.

---

**Caution**

---



# Table of Contents

<b>Introduction .....</b>	<b>8</b>
Overview .....	8
Product Features .....	8
<b>Getting Started.....</b>	<b>9</b>
Box Contents .....	9
Camera Overview .....	10
Camera Dimensions .....	10
Connections .....	10
Power Connection.....	11
Resetting the Camera .....	11
<b>NETWORK CAMERA MANAGER.....</b>	<b>12</b>
Launching Network Camera Manager.....	12
Finding Network Devices.....	12
Username and Password .....	13
Viewing a Network Camera.....	13
<b>Live View .....</b>	<b>14</b>
Setup & Configuration.....	15
Basic Camera Settings .....	15
Basic Information.....	15
Network Settings .....	16
Network .....	16
Port.....	17
DDNS.....	18
FTP.....	19
Email .....	20
Streaming Settings .....	21
Video .....	21
Stream URLs / RTSP .....	22
Snapshot.....	23
Audio.....	24
Region of Interest (ROI) .....	25
Media Stream .....	26
Picture Settings.....	27
Image .....	27
On-Screen Display .....	31
Privacy Mask .....	32
Events Settings .....	33
Alarms.....	33
Storage Settings .....	37
Storage .....	37
JPEG Download.....	38
Recording Download.....	38
Security Settings .....	39
User .....	39
Network Security .....	40
Watermark .....	41

Maintenance .....	41
Time .....	41
Maintenance.....	42

# Introduction

## OVERVIEW

---

The OE-C3014D4 is a rugged, outdoor 4MP IP dome camera is IK10 rated and equipped with an 2.8~12mm varifocal, autofocus, zoom lens delivering crisp and clear images. True WDR and True Day/Night provide superior images in varied lighting environments. Adaptive IR technology improves low light image performance by adjusting IR output to prevent overexposure of objects as they move closer to the camera. Progressive Smart Compression reduces network throughput and increases storage retention without impacting overall video quality. Additional features include audio in/out, as well as sensor and relay connections supported by the enhanced remote monitoring capabilities of the OWS platform. The OE-C3014D4 is compatible with a wide range of accessories allowing it to be mounted in a broad range of applications.

The OE-C3014D4 is ONVIF™ profile S/G/T compliant and fully compatible with the OpenEye Web Services platform, allowing easy plug-and-play connectivity and complete remote setup using a Web browser.

## PRODUCT FEATURES

- IK10 Impact Rating
- 2.8~12mm VF, AF, Zoom Lens
- 4MP resolution at up to 30 FPS
- True WDR Image Processing
- Adaptive IR, up to 98' range
- Progressive Smart Compression
- Audio In/Out
- Sensor & Relay Connections
- IP67 Ingress Protection
- NDAA Compliant
- Optional Paintable Dome Cover (Free Upon Request)

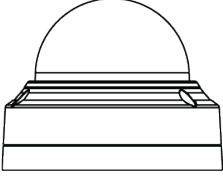
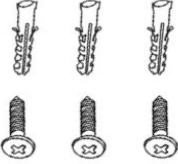
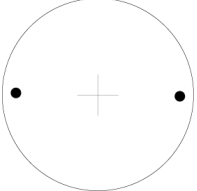
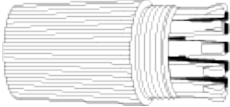


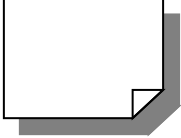


# Getting Started

## BOX CONTENTS

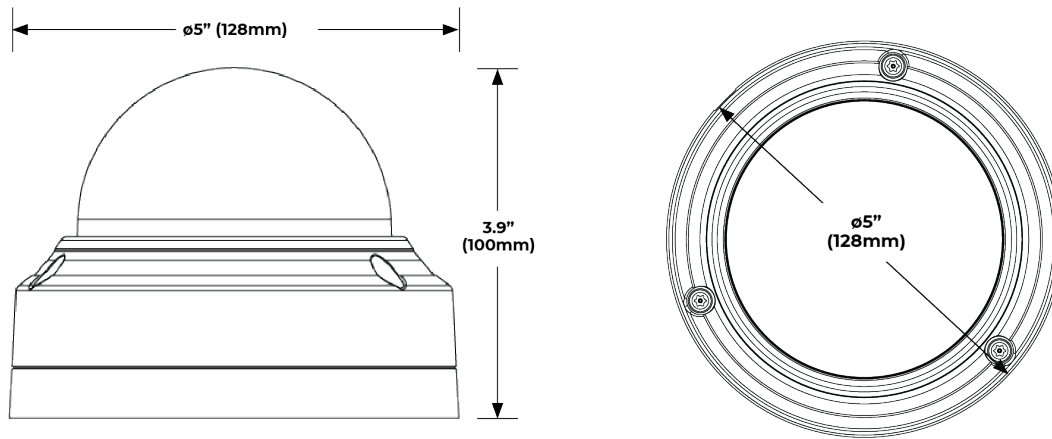
---

Before proceeding, please confirm that the box contains the items listed here. Please contact your dealer for assistance if any item is missing or has defects.

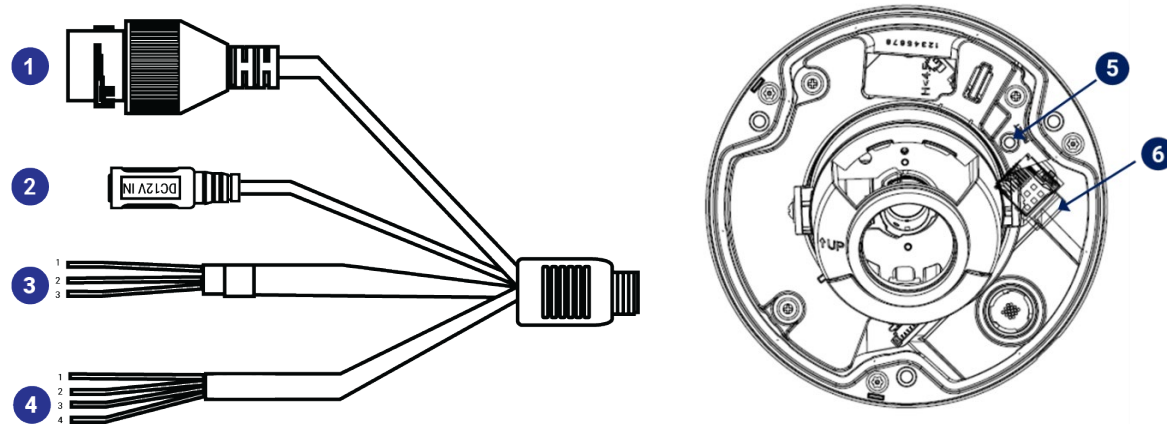
 <p>OE-C3014D4 Dome Camera</p>	 <p>Self-Tapping Screws and Plastic Anchors x 3</p>
 <p>Mounting Template</p>	 <p>Waterproof Cable Connector</p>
 <p>Torx Tool</p>	 <p>#2 Phillips Bit</p>
 <p>Quick Start Guide</p>	

# CAMERA OVERVIEW

## CAMERA DIMENSIONS



## CONNECTIONS



1	RJ45	For connector and PoE connections	
2	Power (12vDC)*	Power connection	
3	Audio I/O	Grey	Audio Out
		Blue	Ground
		Brown	Audio In
4	Alarm I/O	Orange	Alarm In
		Blue	Ground
		Yellow	Alarm Out +
		White	Alarm Out -
5	Reset	<b>To restore the camera to factory defaults:</b> 1. Disconnect power for 30 seconds. 2. Reconnect power and wait 30 seconds. 3. Press the reset button for 20 seconds.	
6	MicroSD Card Slot	Supports up to 512GB microSD card for Edge storage. <b>Do not add or remove the microSD card when the camera is powered on.</b>	
*12vDC power input port should be plugged when not in use.			

## POWER CONNECTION

---

For an adequate power connection, use a 12vDC adaptor. Alternatively, you can power the camera by PoE if a Power Sourcing Equipment (PSE) switch is available. Ensure that the camera's power cable is correctly and firmly connected.



**Note** OpenEye recommends against using more than one power source at a time. Do not use a PoE power source when providing the camera with 12vDC power.

If using Power over Ethernet (PoE), make sure Power Sourcing Equipment (PSE) is in use in the network.

## RESETTING THE CAMERA

---

Resetting the camera will restore factory defaults:

1. Disconnect power for 30 seconds.
2. Reconnect power and wait 30 seconds.
3. Press the reset button for 20 seconds.

# NETWORK CAMERA MANAGER

OpenEye Network Camera Manager (NCM) is a software tool that allows you to quickly and easily connect and configure your OpenEye IP Cameras. This software allows you to apply the camera password, assign IP addresses, configure video settings, and update firmware on multiple cameras at once.

NCM is pre-installed on all OpenEye Recorders and is also available for download [www.OpenEye.net](http://www.OpenEye.net) for installation on your personal computer or laptop. Network Camera Manager is a Java application, this allows it to be installed on Windows and Linux operating systems.

## LAUNCHING NETWORK CAMERA MANAGER

### Apex Windows Platforms

Network Camera Manager can be found on the desktop.

### Linux Platforms

In the Apex Settings menu, go to the **Cameras** page and click **Advanced**.

## FINDING NETWORK DEVICES

Click **Refresh** to reload the Device List.

To narrow your search by **Camera Model** or **Network**, use the **Model Filter** and **Networks** dropdowns.

Model	Name	IP Address	MAC	Web Page	Firmware
<input type="checkbox"/> OE-C7564-AWR_RevB	OE-C7564-AWR_RevB	192.168.51.12	00:D0:89:19:35:A4	<a href="#">Load</a>	
<input type="checkbox"/> OE-C6123-W2	OE-C6123-W2	192.168.51.16	00:D0:89:17:22:8B	<a href="#">Load</a>	
<input type="checkbox"/> OE-C7032-WR	OE-C7032-WR	192.168.51.13	4C:91:7A:67:65:B9	<a href="#">Load</a>	
<input type="checkbox"/> OE-C7088-AWR	OE-C7088-AWR	192.168.51.14	E4:F1:4C:0C:57:57	<a href="#">Load</a>	

Model Filter (All) | All Networks | Devices Found: 4 | Find MAC: | Find |  ONVIF Detection | Refresh

Devices Selected: 0

**Camera Credentials**  
admin  
1234

**Network Configuration**  
IP Address: Subnet: Gateway: DNS:  DHCP [Apply]

**Firmware Update**  
Get Firmware [Browse] [Apply]

**Camera Settings**  
System [Video]

A Mac Address search is also available if you are looking for a specific device.

## USERNAME AND PASSWORD

*\*OpenEye IP cameras ship without a default password.*

Username: **admin**

**Note** Passwords must be 9-32 characters including at least two elements of the following three: digits, letters, and special characters.

The **admin** user password can be set using the following methods:

1. OpenEye recorders running Apex 2.1 or newer will automatically set a new unique password if:
  - Connected to an M-Series recorder with a built in PoE switch.
  - Connected to a network switch through the camera network port and selected then added in setup, if a new password has not already been set.

**Note** You can set your Default Camera Password under the General Settings page within *Setup > System Settings > General Settings*. For instructions on defining your unique camera password, visit:  
<https://www.openeye.net/support/faqs/default-camera-password>

2. Connect to the camera directly through a Web Browser and follow the onscreen prompts.
3. Use the Network Camera Manager (NCM) Utility.

**Note** The NCM Software Manual can be found at <https://www.openeye.net/ncm-manual>.

**Note** Refer to your Apex recorder manual or quick start guide for instruction on adding cameras.

## VIEWING A NETWORK CAMERA

Click **Load** in the row of the desired camera.

Enter a new Admin password.

- Passwords must be 9-32 characters and include at least two of the following three elements:
  - Digits
  - Letters
  - Special Characters
    - All special characters are allowed

**Change Password**

Username:

Password:

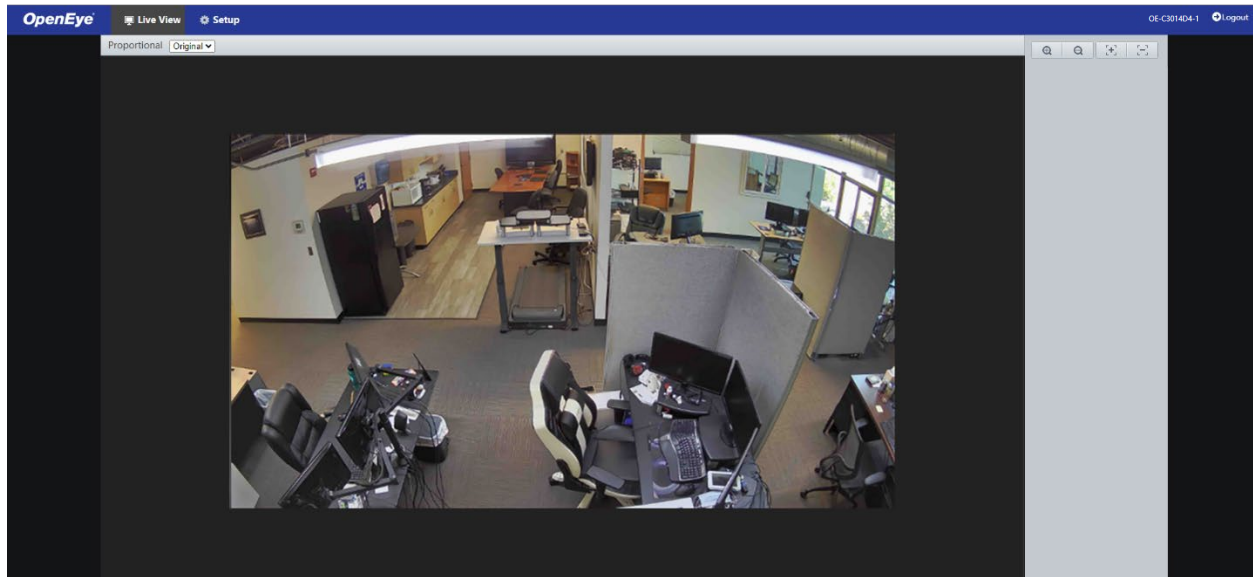
9 to 32 characters including at least two elements of the following three: digits, letters, and special characters

Weak  Medium  Strong

Confirm:

OK

# Live View





The camera displays a live view using the MJPEG stream for setup purposes.

**Proportional** – Select the image ratio for the live preview image (Original, Stretch, Scale)

**Setup** – Go to the Setup tab to access the camera menus

**Logout** – Log out the current user

**Zoom In / Out**   – Adjust camera zoom in or out

**Focus +/-**   – Adjust camera focus

## SETUP & CONFIGURATION

### BASIC CAMERA SETTINGS

#### *Basic Information*

The Basic Information tab displays the product model, firmware, network, and MAC address for the connected camera, along with the current camera Status.

The screenshot shows the 'Basic Camera Settings' interface. On the left is a dark sidebar with a list of settings categories: Basic Info (selected), Image, Video, Network, Time, Network Settings, Streaming Settings, Picture Settings, Event Settings, Storage Settings, Security Settings, and Maintenance. The main content area is titled 'Basic Info' and contains two sections: 'Basic Info' and 'Status'. The 'Basic Info' section is a table with the following data:

Basic Info	
Model	
Firmware Version	IPC_G6107-B0001P86D1806C80
Hardware Version	A
Boot Version	V0.1
Serial No.	210235TGDJ3205000000
Network Settings	10.0.22.13/255.255.252.0/10.0.23.156
MAC Address	4c:91:7a:67:a8:4c

The 'Status' section is another table with the following data:

Status	
System Time	2020/9/29 11:39:10
Operation Time	0 Day(s) 4 Hour(s) 26 Minute(s)

Below the 'Status' table is a 'Refresh' button.

The nested Image, Video, Network, and Time tabs are shortcuts to the more advanced menu options further down the Setup list. For more information about these tabs, see the appropriate sections later in the manual.

## NETWORK SETTINGS

### Network

The Network tab allows you to configure the connected camera network settings.

#### DHCP IP Address

The default static IP address of the camera is 192.168.51.2, and the default subnet mask is 255.255.255.0. DHCP is turned on by default.

If a DHCP server is used in the network, the IP address of your camera may be assigned dynamically.

The image displays two side-by-side screenshots of the OpenEye camera's web interface, specifically the 'Network' settings page. The left screenshot shows the 'DHCP/Static IP' dropdown set to 'DHCP', 'IPv6 Mode' set to 'Manual', and 'DNS' servers set to '8.8.8.8' and '8.8.4.4'. The right screenshot shows the 'DHCP/Static IP' dropdown set to 'Static', 'IP Address' set to '192.168.51.3', 'Subnet Mask' set to '255.255.255.0', and 'Default Gateway' set to '192.168.51.1'. Both screenshots also show 'MTU' set to '1500', 'Port Type' set to 'FE Port', and 'Operating Mode' set to 'Auto-negotiation'.

#### Static IP Address

To set up a new static IP address:

1. Select **Static** from the **DHCP/Static IP** dropdown option.
2. Enter the **IP Address**, **Subnet Mask**, and **Default Gateway**.  
**\*Note** - Make sure that the IP address of the camera is unique in the network.
3. **Save**

#### IPv6 Address Configuration

1. Enter the **IPv6 Address**, set the **Prefix Length** and **Default Gateway**.  
**\*Note** - Make sure that the IP address of the camera is unique in the network.
2. **Save**

#### DNS

Set your **Preferred DNS Server** and **Alternate DNS Server**.



## Port

Port Type	External Port	External IP Address	Status
HTTP Port	80	0.0.0.0	Inactive
RTSP Port	554	0.0.0.0	Inactive
Server Port	81	0.0.0.0	Inactive
HTTPS Port	443	0.0.0.0	Inactive

**HTTP Port** – Configure your relevant port number.



**Note** If the HTTP port number has been occupied already, a “Port conflicts” message will display. Ports 23, 81, 82, 85, 3260, and 49152 are occupied by default.

**HTTPS Port** – The default HTTPS Port is 443; setting range: 1024 ~65535.

**RTSP Port** – The default RTSP port is 554; setting range: 1024 ~65535.



**Note** No port number can be used in duplication on more than one item.

### Port Mapping

To enable Port Mapping:

1. Toggle **On** for **Port Mapping**.
2. Use the **Mapping Type** dropdown menu to select a type.
3. If selecting **Manual**, the external ports must be configured.



**Note** If the configured port is already occupied, then the Status will show as inactive and a new port must be selected.

4. **Save**

## DDNS

<b>Basic Camera Settings</b>	<b>DDNS</b>
<b>Network Settings</b>	
Network	
Port	
▶ <b>DDNS</b>	
FTP	
E-mail	
<b>Streaming Settings</b>	
<b>Picture Settings</b>	
<b>Event Settings</b>	
<b>Storage Settings</b>	
<b>Security Settings</b>	
<b>Maintenance</b>	

DDNS Service	<input type="radio"/> On <input checked="" type="radio"/> Off
DDNS Type	NO-IP ▼
Server Address	www.noip.com
Domain Name	
Username	
Password	.....
Confirm	.....
<input type="button" value="Save"/>	

1. **Enable** DDNS Service.
2. Select a **DDNS Type**.
3. Enter **Server Address**, **Domain Name**, **Username** and **Password**.
4. **Save**

## FTP

Use FTP (file transfer protocol) to upload snapshots from network cameras to a specified server.

The screenshot shows the 'Basic Camera Settings' interface, specifically the 'General' tab. The left sidebar lists various settings categories: Basic Camera Settings, Network Settings, Streaming Settings, Picture Settings, Event Settings, Storage Settings, Security Settings, and Maintenance. The 'FTP' option under Network Settings is selected. The main content area is titled 'Server Parameters' and includes fields for Server IP (0.0.0.0), Port No. (21), Username, and Password. There are also checkboxes for 'Upload Images' and 'Overwrite Storage', and a text field for 'Overwrite At(image)' set to 1000. Below this is a 'Snapshot Image' section with a 'Save To' dropdown menu showing a path of four 'Disable' entries, a 'File Name' field, and a 'Separator' dropdown. A table with 5 rows and 2 columns (No. and Naming Element) is present, with the first row containing '1' and 'None'. A 'Save' button is at the bottom, and a note states: 'Note: Overwrite will take place in the current directory.'

To configure FTP:

1. Set the **Server IP** address and **Port No.** for the FTP server, **Username** and **Password** used to upload images to the FTP server, select **Upload Images**, **Overwrite Storage** and set **Overwrite At** (threshold for overwriting images).
2. Set the path for saving snapshots on the FTP server and the file name format.

**Example:** set path as Preset No.\\IP Address\\Date\\Hour(s), and set file name as Preset No.-PTZ Zoom-PTZ Latitude-PTZ Longitude.jpg.

3. **Save.**

## Email

The camera can send an e-mail via Simple Mail Transfer Protocol (SMTP) when a variety of events occur. Two sets of SMTP accounts can be configured. Each set includes SMTP Server, Account Name, Password and E-mail Address settings. For SMTP server, contact your network service provider for more specific information.

Basic Camera Settings	E-mail
<b>Network Settings</b>	
Network	
Port	
DDNS	
FTP	
<b>E-mail</b>	
<b>Streaming Settings</b>	
<b>Picture Settings</b>	
<b>Event Settings</b>	
<b>Storage Settings</b>	
<b>Security Settings</b>	
<b>Maintenance</b>	
	<p><b>Sender</b></p> <p>Name <input type="text"/></p> <p>Address <input type="text"/></p> <p>SMTP Server <input type="text"/></p> <p>SMTP Port <input type="text" value="25"/></p> <p>TLS/SSL <input type="radio"/> On <input checked="" type="radio"/> Off</p> <p>Snapshot Interval(s) <input type="text" value="2"/> <input checked="" type="checkbox"/> Attach Image</p> <p>Server Authentication <input checked="" type="radio"/> On <input type="radio"/> Off</p> <p>Username <input type="text"/></p> <p>Password <input type="password" value="....."/></p> <p><b>Recipient</b></p> <p>Name1 <input type="text"/></p> <p>Address1 <input type="text"/> <input type="button" value="Test"/></p> <p>Name2 <input type="text"/></p> <p>Address2 <input type="text"/> <input type="button" value="Test"/></p> <p>Name3 <input type="text"/></p> <p>Address3 <input type="text"/> <input type="button" value="Test"/></p> <p><input type="button" value="Save"/></p>

Parameter	Description
TLS/SSL	When enabled, the e-mail will be encrypted using TLS (Transport Layer Security) or Secure Socket Layer (SSL) to protect privacy. First it tries to send through an SSL connection. If the SMTP server supports SSL, the e-mail will be sent through the SSL connection; otherwise, it tries to send using STARTTLS.
Attach Image	When enabled, the e-mail will contain 3 instant snapshots as attachment according to the Capture Interval.
Username/Password	Username and password of the registration email address. The password allows the following special characters \ / : * ? ' " < >   % &

## STREAMING SETTINGS

### Video

The video settings menu configures the camera's video settings, including **Resolution**, **Frame Rate**, **Bit Rate**, and the **Image Quality**.

The screenshot shows the 'Video' settings page. On the left is a navigation menu with categories: Basic Camera Settings, Network Settings, Streaming Settings, Picture Settings, Event Settings, Storage Settings, Security Settings, and Maintenance. The 'Streaming Settings' section is expanded to show 'Video'. The main content area has a 'Resolution and Frame Rate Mode' dropdown set to '2688\*1520\*30'. Below this are two columns of settings. The left column is for the 'Main Stream' and the right column is for the 'Enable Sub Stream' (which is checked). Both columns have identical settings for Video Compression (H.264), Resolution (2688\*1520 and 640\*360), Frame Rate (fps) (15 and 10), Bit Rate (Kbps) (2304 and 512), Bitrate Type (VBR), Image Quality (sliding bar), Smart Encoding (Basic Mode), I Frame Interval (10), GOP (IP), and Smoothing (sliding bar). A 'Save' button is located at the bottom left of the main content area.

To configure camera streams:

Use the dropdown menus to configure the **Video Compression**, **Resolution**, **Frame Rate**, **Bitrate Type**, **Smart Encoding**, and **GOP**.

1. Check to **Enable Sub Stream** and configure if desired.
2. **Save**

**Smart Encoding** – Turn on Smart Encoding to enable H.264+ encoding to reduce bit rate. It is recommended not to set the frame rate below 10FPS when smart compression is enabled.

**Resolution and Frame Rate** – Use the dropdown menu to select the base resolution and frame rate for the main stream.



**Note** Higher frame rate will increase video smoothness but will increase file size and bandwidth usage. Lowering the frame rate will conserve file size and bandwidth usage at the expense of video smoothness.

**Video Compression** – H.264, H.265, and MJPEG are available for video compression.

**Image Quality** – If the Encoding Mode is set to VBR, you can adjust the quality level for images by moving the sliding bar. The Quality side of the bar improves video quality, and the Bit Rate side of the bar reduces Bit rate.

**I-Frame Interval / GOP** – The Group of Pictures setting allows you to modify the frame structure of the video stream. This setting changes the frequency of the I-frames that occur within the stream of P-frames. Increasing this number increases the number of P-frames between each I-frame, decreasing the file size of the stream, but increasing the risk of video decoding errors. It is recommended setting the GOP to be approximately twice the frame rate.

**Smoothing** – Configure the amount of video smoothing. Moving the sliding bar toward Smooth increases the level of smoothing but may affect image quality.



**Note** In a poor network environment, you can increase smoothing to get more fluid video.

## Stream URLs / RTSP

It is possible to connect to OpenEye IP cameras using third party software like VLC media player.

To connect some types of software will need to know the stream URL. All OpenEye IP cameras can deliver two RTSP streams.

The RTSP stream URL format is as follows:

`rtsp://[USER]:[PASSWORD]@[IP ADDRESS]:[RTSP PORT]/media/video[STREAM]`

**[USER]** – This is the username to access your device

**[PASSWORD]** – This is the password to the user

**[IP ADDRESS]** – This is the IP address of your device

**[RTSP PORT]** – This is the RTSP port of your device; the default RTSP Port is 554

**[STREAM]** –

- Primary Stream: video1
- Sub-stream: video2

*Example:*

<b>[USER]</b>	<i>admin</i>
<b>[PASSWORD]</b>	<i>1\$\$!9#6v\$\$\$1</i>
<b>[IP ADDRESS]</b>	<i>192.168.51.51</i>
<b>[RTSP PORT]</b>	<i>554</i>
<b>[STREAM]</b>	<i>1</i>

**RTSP Stream URL** - `rtsp://admin:1$$!9#6v$$$1@192.168.51.51:554/media/video1`

## Snapshot

The Snapshot tab is used to configure the settings for timed or continual snapshots.

To configure Snapshots:

1. Use the dropdowns to select the desired **Resolution**, **Snapshot Interval**, and the **Number of Snapshots**.
2. If you desire Scheduled Snapshots, select **Schedule** Snapshot Mode, and designate snapshot times.
3. **Save**

Parameter	Description
Snapshot Interval	Interval between two snapshots. For example, with Snapshot Interval set to 1 and Number of Snapshot set to 2, the camera will take 2 snapshots (take one first and then take another after 1 second).
Number to Snapshot	Currently 1, 2, and 3 snapshots are allowed.
Snapshot Mode	<p><b>Schedule:</b> You need to set a snapshot time, e.g., 19:12:00, which means the camera takes a snapshot at 19:12:00.</p> <p><b>Repeat:</b> Allows you to set an interval (unit: sec). For example, according to the settings shown in the figure above, 60 seconds must elapse before the camera takes another two snapshots.</p>

## Audio

The Audio tab allows you to configure the audio encoding settings for your camera.

The screenshot shows the 'Audio' configuration page. On the left is a sidebar with menu items: Basic Camera Settings, Network Settings, Streaming Settings, Video, Snapshot, Audio (selected), ROI, Media Stream, Picture Settings, Event Settings, Storage Settings, Security Settings, and Maintenance. The main area is titled 'Audio' and contains two sections: 'Audio Input' and 'Audio Output'. The 'Audio Input' section has: 'Audio Input' with radio buttons for 'On' (selected) and 'Off'; 'Access Mode' with a dropdown menu set to 'Line/Mic'; 'Input Gain' with a text input field containing '128' and a range '[0~255]'; 'Audio Compression' with a dropdown menu set to 'G.711U'; 'Sampling Rate(KHz)' with a dropdown menu set to '8'; 'Noise Suppression' with radio buttons for 'On' (selected) and 'Off'; and 'Audio 1' with a dropdown menu set to 'Line' and a checked 'Enable' checkbox. The 'Audio Output' section has: 'Audio Output' with a dropdown menu set to 'Line'. At the bottom of the main area is a 'Save' button.

To configure Audio setup:

1. Configure the Audio settings as desired.
2. **Save**



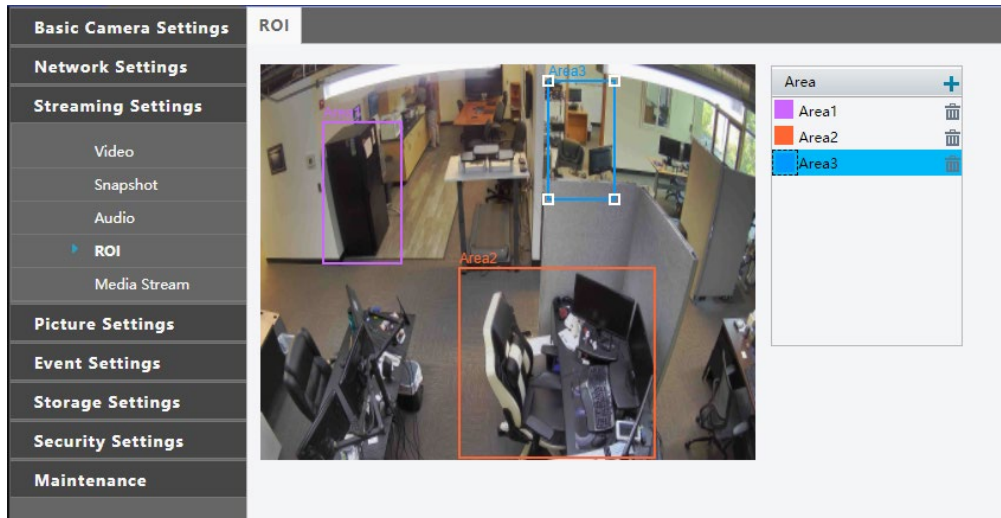
**Note** Only one Audio Channel can be active at a time. It is recommended to configure only channel 1. If the additional channel is needed, please contact customer support for advanced settings.

Parameter	Description
<b>Audio Input</b>	No audio data will be encoded when <b>Off</b> is selected. <b>Note:</b> It is recommended to select <b>Off</b> if you do not need audio. This can improve device performance to some extent.
<b>Access Mode</b>	Line/Mic
<b>Audio Compression</b>	Two options: G.711U, G.711A. G.711U and G.711A support 8K sampling rate only.
<b>Input Gain</b>	Audio signal amplification for sampling. The greater the gain, the greater amplification.
<b>Noise Suppression</b>	Used to reduce noise in images. To enable noise suppression, select <b>On</b> .
<b>Audio 1</b>	Audio input channel(s). To enable audio input, select <b>Enable</b> .
<b>Audio Output</b>	Audio output channel.



## Region of Interest (ROI)

When Region of Interest (ROI) is enabled, the system ensures the image quality for the ROI first if the bit rate is insufficient.



To enable ROI:

1. Click **+** on the Area box.
2. Arrange the ROI square as desired in the camera image. Click and drag to move the square and use the corner markers to expand the square. The interior of the ROI square will be considered the ROI.
3. Click **+** again to add additional ROIs.
4. Click the trash icon to delete a created ROI.

Changes will be saved automatically.

## Media Stream

You can display the established media streams from a camera. You can also set the camera to transmit code streams by the UDP or TCP protocol to a specified IP address and port number.



**Note** Changes to the media stream will take effect after the camera has been restarted.

Stream Profile	Protocol	Destination IP	Destination...	Persistent	+
Sub Stream	TCP	10.0.70.108	44216	Disable	
Main Stream	TCP	10.0.70.108	44218	Disable	
Main Stream	TCP	10.0.22.37	58529	Disable	
Sub Stream	TCP	10.0.22.37	59558	Disable	

**Main Stream**

Multicast Address:

Port:

**Sub Stream**

Multicast Address:

Port:

Save

To configure media streams:

1. Click the **+** on the right side of the title bar and the Add Media Stream page will appear.

Stream Profile	IP Address	Port	Protocol	Persistent	+

2. Select a **Stream Type**, and then set the **IP Address** and **Port Number** of the unicast or multicast group for the decoding device that receives audio and video streams from the camera.

Add Media Stream ✕

Stream Profile:

IP Address:

Port:

Protocol:

Persistent:  Enable  Disable

Save    Cancel

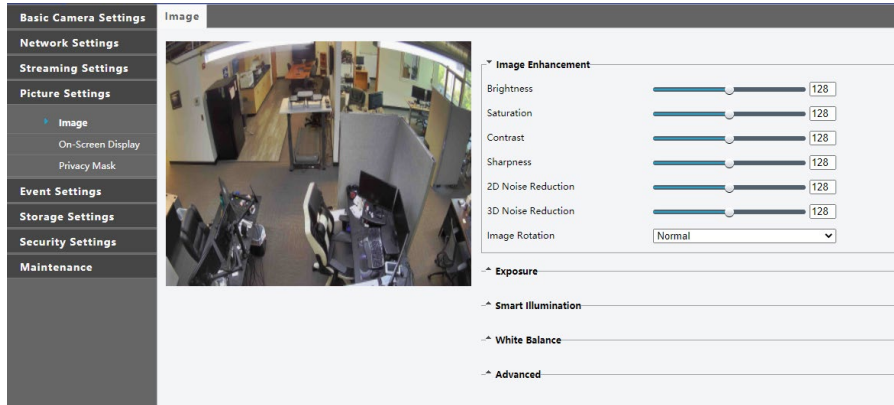
3. Toggle **Persistent** to **Enable** if you want the device to establish the media stream that you have just configured automatically upon each subsequent restart.
4. **Save**
5. Click the trashcan icon to **delete** a created media stream.

Stream Profile	IP Address	Port	Protocol	Persistent	+
Main	10.0.30.165	80	UDP	Disable	

# PICTURE SETTINGS

## Image

The Image tab allows you to configure the setting for the camera image as seen in Live View. When adjusting your image settings, the changes will be saved automatically and will display in the camera image preview window.



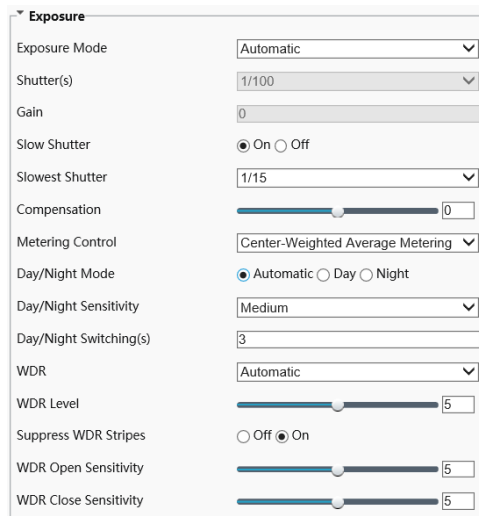
## Image Enhancement

Use the sliding scales to adjust the Image settings or set a numeric value in the value box. The dropdown Image Rotation menu will rotate the camera image.



## Exposure

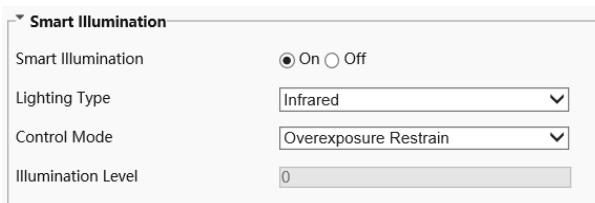
By default, the Exposure Mode is set to Automatic. Other options include Custom, Indoor 50hz, Indoor 60hz, and Manual. Using Custom or Manual allows you to manually configure the shutter and gain control.



Parameter	Description
<b>Exposure Mode</b>	<ul style="list-style-type: none"> <li>• <b>Automatic:</b> The camera automatically adjusts exposure according to the environment.</li> <li>• <b>Custom:</b> The user sets exposure as needed.</li> <li>• <b>Indoor 50Hz:</b> Reduce stripes by limiting shutter frequency.</li> <li>• <b>Indoor 60Hz:</b> Reduce stripes by limiting shutter frequency.</li> <li>• <b>Manual:</b> Finetune image quality by setting shutter, gain and iris manually.</li> <li>• <b>Low Motion Blur:</b> Control the minimum shutter to reduce motion blur in faces captured in motion.</li> </ul>
<b>Shutter (s)</b>	<p>Shutter is used to control the light that comes into the lens. A fast shutter speed is ideal for scenes in quick motion. A slow shutter speed is ideal for scenes that change slowly.</p> <p><b>Note:</b></p> <ul style="list-style-type: none"> <li>• You can set a shutter speed when Exposure Mode is set to Manual or Shutter Priority.</li> <li>• If <b>Slow Shutter</b> is set to <b>Off</b>, the reciprocal of the shutter speed must be greater than the frame rate.</li> </ul>
<b>Gain</b>	<p>Control image signals so that the camera outputs standard video signals according to the light condition.</p> <p><b>Note:</b> You can set this parameter only when <b>Exposure Mode</b> is set to <b>Manual</b> or <b>Gain Priority</b>.</p>
<b>Slow Shutter</b>	Improves image brightness in low light conditions.
<b>Slowest Shutter</b>	<p>Set the slowest shutter speed that the camera can use during exposure.</p> <p><b>Note:</b> You can set this parameter only when <b>Slow Shutter</b> is set to <b>On</b>.</p>
<b>Compensation</b>	<p>Adjust the compensation value as required to achieve the desired effects.</p> <p><b>Note:</b> You can set this parameter only when <b>Exposure Mode</b> is not set to <b>Manual</b>.</p>
<b>Metering Control</b>	<p>Set the way the camera measures the intensity of light.</p> <ul style="list-style-type: none"> <li>• <b>Center-Weighted Average Metering:</b> Measure light mainly in the central part of images.</li> <li>• <b>Evaluative Metering:</b> Measure light in the customized area of images.</li> <li>• <b>Face Metering:</b> Adjust image quality in poor lighting conditions by controlling the brightness of captured face in Face scene.</li> </ul> <p><b>Note:</b> You can set this parameter only when <b>Exposure Mode</b> is not set to <b>Manual</b>.</p>
<b>Day/Night Mode</b>	<p><b>Automatic:</b> The camera outputs the optimum images according to the light condition. In this mode, the camera can switch between night mode and day mode automatically.</p> <p><b>Night:</b> The camera provides high-quality black and white images using the existing light</p> <p><b>Day:</b> The camera provides high-quality color images using the existing light.</p>
<b>Day/Night Sensitivity</b>	<p>Light threshold for switching between day mode and night mode. A higher sensitivity means that the camera is more sensitive to the change of light and becomes more easily to switch between day mode and night mode.</p> <p><b>Note:</b> You can set this parameter only when <b>Day/Night Mode</b> is set to <b>Automatic</b>.</p>
<b>Day/Night Switching(s)</b>	<p>Set the length of time before the camera switches between day mode and night mode after the conditions for switching are met.</p> <p><b>Note:</b> You can set this parameter only when <b>Day/Night Mode</b> is set to <b>Automatic</b>.</p>

<b>WDR</b>	Enable WDR to distinguish the bright and dark areas in the same image. <b>Note:</b> You can set this parameter only when <b>Exposure Mode</b> is neither <b>Customize</b> nor <b>Manual</b> and when <b>Image Stabilizer</b> is disabled.
<b>WDR Level</b>	After enabling the WDR function, you can improve the image by adjusting the WDR level. <b>Note:</b> Use level 7 or higher when there is a high contrast between the bright and dark areas of the scene. In the case of low contrast, it is recommended to disable WDR or use level 1-6.
<b>Suppress WDR Stripes</b>	When enabled, the camera can automatically adjust slow shutter frequency according to the frequency of light to minimize stripes that may appear in images.

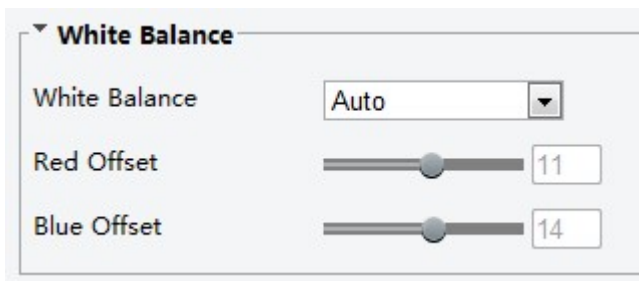
### Smart Illumination



Parameter	Description
<b>Lighting Type</b>	<ul style="list-style-type: none"> <li>• <b>Infrared:</b> The camera uses infrared light illumination.</li> </ul>
<b>Control Mode</b>	<ul style="list-style-type: none"> <li>• <b>Global Mode:</b> The camera adjusts IR illumination and exposure to achieve balanced image effects. Some areas might be overexposed if you select this option. This option is recommended if monitored range and image brightness are your first priority.</li> <li>• <b>Overexposure Restrain:</b> The camera adjusts IR illumination and exposure to avoid regional overexposure. Some areas might be dark if you select this option. This option is recommended if clarity of the central part of the image and overexposure control are your first priority.</li> <li>• <b>Manual:</b> This mode allows you to manually control the intensity of IR illumination.</li> </ul>
<b>Illumination Level</b>	Set the intensity level of the IR light. The greater the value, the higher the intensity. 0 means that the IR light is turned off. <b>Note:</b> You can set this parameter only when <b>Control Mode</b> is set to <b>Manual</b> .

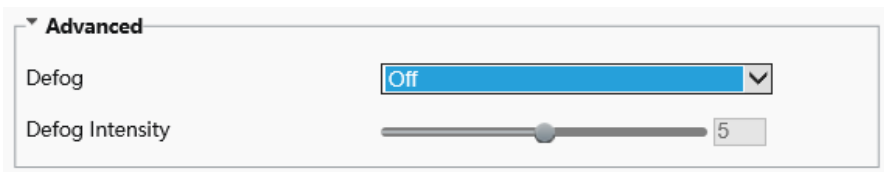
### White Balance

White balance is the process of offsetting unnatural color cast in images under different color temperatures so as to output images that best suit human eyes.



Parameter	Description
<b>White Balance</b>	<p>Adjust the red or blue offset of the image:</p> <p><b>Auto/Auto2:</b> The camera adjusts the red and blue offset automatically according to the light condition (the color tends to be blue). If the images are still unnaturally red or blue in Auto mode, please try Auto2.</p> <p><b>Fine Tune:</b> Allow you to adjust the red and blue offset manually.</p> <p><b>Outdoor:</b> Suitable for outdoor environment with a relatively greater color temperature range.</p> <p><b>Locked:</b> Lock the current color temperature without change.</p> <p><b>Sodium Lamp:</b> The camera adjusts red and blue offset automatically according to the light condition (the color tends to be red).</p>
<b>Red Offset</b>	<p>Adjust the red offset manually.</p> <p><b>Note:</b> You can set this parameter only when <b>White Balance</b> is set to <b>Fine Tune</b>.</p>
<b>Blue Offset</b>	<p>Adjust the blue offset manually.</p> <p><b>Note:</b> You can set this parameter only when <b>White Balance</b> is set to <b>Fine Tune</b>.</p>

### Advanced



**Defog** – Adjust the clarity of images captured in fog or haze conditions.

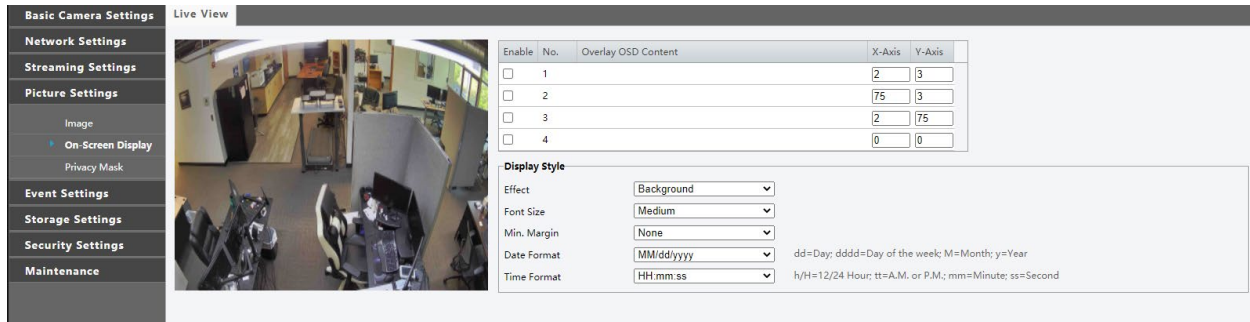
- Use the Defog dropdown menu to turn Defog **On** or **Off**.
- Slide the **Defog Intensity** bar to the desired position (1 is the minimum intensity and 9 is the maximum intensity).



**Note** The Defog function is only available when WDR is disabled.

## On-Screen Display

Up to 4 on-screen displays (OSD) can be configured for the camera image.



The screenshot shows the 'Basic Camera Settings' interface. On the left is a navigation menu with categories: Basic Camera Settings, Network Settings, Streaming Settings, Picture Settings, Event Settings, Storage Settings, Security Settings, and Maintenance. Under 'Picture Settings', 'On-Screen Display' is selected. The main area is titled 'Live View' and contains a camera feed of an office. To the right of the feed is a table for configuring OSDs:

Enable	No.	Overlay OSD Content	X-Axis	Y-Axis
<input type="checkbox"/>	1		2	3
<input type="checkbox"/>	2		75	3
<input type="checkbox"/>	3		2	75
<input type="checkbox"/>	4		0	0

Below the table is the 'Display Style' section with the following settings:

- Effect: Background
- Font Size: Medium
- Min. Margin: None
- Date Format: MM/dd/yyyy
- Time Format: HH:mm:ss

Legend: dd=Day; dddd=Day of the week; M=Month; y=Year; h/H=12/24 Hour; tt=A.M. or P.M.; mm=Minute; ss=Second

### To add an on-screen display:

1. Select the position and content of the OSD.
  - a. **Position:** Click the desired box in the Live View area. After the cursor shape is changed, click and hold the button to move the box to the desired position. To set the position precisely, use the X and Y coordinates.
  - b. **Overlay OSD Content:** The drop-down list provides Time, Preset and Serial Info. You may also select Custom and enter the content you want.
2. After you have completed the settings, a message appears to indicate the successful settings.
3. To cancel OSD for an area, clear the OSD content in the Overlay OSD Content column.



**Note** To view the OSD in the web browser Live View, you must refresh the browser after setting the OSD for the changes to take effect.

## Privacy Mask

Add a privacy mask to your camera image to hide desired areas from view.

The screenshot displays the 'Privacy Mask' configuration page. On the left, a camera feed shows a black rectangular mask labeled 'Mask1' covering a portion of the scene. On the right, there is a table with columns 'No.' and 'Name' containing one entry: '1' and 'Mask1'. Above the table are 'Add' and 'Delete' buttons. A sidebar on the left contains various settings categories, with 'Privacy Mask' selected under 'Picture Settings'.

To **add** a privacy mask:

1. Click **Add**.
2. Click and drag the newly generated **mask square** to the desired location on the camera image. Arrange and resize the mask as needed.

To **delete** a privacy mask:

1. Select the desired mask from the Privacy Mask list.
2. Click **Delete**.

Changes will be saved automatically.

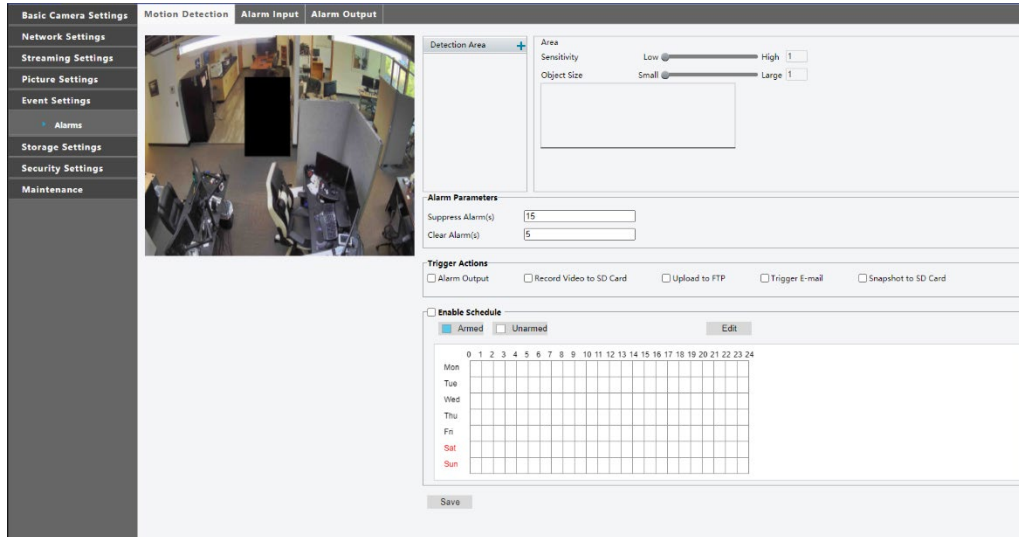


# EVENTS SETTINGS

## Alarms

### Motion Detection

Motion detection is used to detect motion in a specified area during a period of time. The use of motion detection requires setting a detection area, detection sensitivity, object size, and history. When these requirements are met, the motion detection alarm will activate.



#### To configure Motion Detection:

1. Click and drag the **detection box** to the desired location on the camera image and use the corner markers to adjust the size of the detection box as desired.
2. Use the **Sensitivity** and **Object Size** slider bars to adjust the motion detection parameters as desired.

**Sensitivity** – This determines how many pixels have to change in order for the alarm to consider motion to have occurred.

**Object Size** – This determines the area within the camera image that the motion must exceed in order for the alarm to consider motion to have occurred.

#### Alarm Parameters

**Suppress Alarm** – After an alarm is triggered, the same alarm will not be reported again within the designated time.

**Clear Alarm** – After the alarm is triggered:

- a) If the same alarm is not triggered within the set time, the alarm will be cleared, and the same alarm can be reported again.
- b) If the same alarm is triggered within the set time, the alarm will not be cleared until the suppress alarm time expires. Then the same alarm can be reported again.

Select the **Trigger Actions** to occur once the motion detection alarm has been triggered.

## Trigger Actions

**Alarm Output** - This setting is the alarm output interface linked to motion detection alarm.

**Note** When an alarm is reported, the camera triggers alarm output to trigger actions by a third-party device.

**Record Video to SD Card** - With Record Video to SD Card selected, the camera will automatically upload video to the microSD card when an alarm is triggered.

**Note** This option is only available if the camera has a microSD card installed.

**Upload to FTP** - With Upload to FTP selected, the camera will automatically upload snapshots to the specified FTP server when an alarm is triggered.

**Note** Make sure you have completed FTP and Snapshot before using this function.

**Trigger E-mail** - With Trigger E-mail selected, the camera will automatically send snapshots to the specified E-mail address when an alarm is triggered.

**Note** Make sure you have completed E-Mail setup before using this function.

**Snapshot to SD Card** - With Snapshot to SD Card selected, the camera will automatically upload snapshots to the microSD card when an alarm is triggered.

**Note** This option is only available if the camera has a microSD card installed.

## Enable Schedule

Select the check box and set the start and end times during which motion detection alarm is enabled. You can directly drag the mouse to draw a plan and click Edit to edit time periods in the table. The camera reports alarms during the specified period(s) only. You can select from Monday to Sunday and set four periods for each day.

## Save

## Alarm Input

The screenshot shows the 'Alarm Input' configuration page. The left sidebar contains navigation menus for Basic Camera Settings, Network Settings, Streaming Settings, Picture Settings, Event Settings, Alarms, Storage Settings, Security Settings, and Maintenance. The main content area is titled 'Alarm Input' and includes the following sections:

- Select Alarm:** A dropdown menu set to 'Alarm Input 1'.
- Alarm Name:** A text input field containing '1'.
- Alarm ID:** An empty text input field.
- Alarm Type:** A dropdown menu set to 'N.O.'.
- Alarm Input:** Radio buttons for 'On' and 'Off', with 'Off' selected.
- Trigger Actions:** Checkboxes for 'Alarm Output', 'Record Video to SD Card', 'Upload to FTP', 'Trigger E-mail', and 'Snapshot to SD Card', all of which are currently unchecked.
- Enable Schedule:** A checkbox that is unchecked, with 'Armed' and 'Unarmed' radio buttons below it. An 'Edit' button is located to the right.
- Schedule Grid:** A grid with columns numbered 0 to 24 and rows for days of the week (Mon, Tue, Wed, Thu, Fri, Sat, Sun). The grid is currently empty.
- Save:** A button at the bottom left of the main content area.

## To configure Alarm Input:

1. **Select Alarm, Alarm Name and Alarm ID.**
2. Select **N.O.** or **N.C.** according to the type of the third-party alarm input device (For example, if the third-party alarm input device is normally open, you need to select N.O. here) so that the camera can receive alarm information.

3. Set actions to be triggered by an input alarm and the plan. For the detailed steps, see the descriptions of triggered actions in [Configuring Motion Detection Alarm](#).
4. **Save**

## Alarm Output

After an alarm output is triggered by a motion detection alarm, audio alarm, or other third-party configured alarm, the camera can trigger an alarm output to a third-party device.

The screenshot displays the 'Alarm Output' configuration page. On the left is a sidebar with menu items: Basic Camera Settings, Network Settings, Streaming Settings, Picture Settings, Event Settings, Alarms (highlighted), Storage Settings, Security Settings, and Maintenance. The main content area has tabs for Motion Detection, Alarm Input, and Alarm Output. Under the Alarm Output tab, there are several configuration options: 'Select Alarm' is a dropdown menu set to 'Alarm Output 1'; 'Alarm Name' is an empty text input field; 'Default Status' is a dropdown menu set to 'N.O.'; 'Delay(s)' is a text input field set to '30'. Below these is an 'Enable Schedule' checkbox, which is currently unchecked. Underneath the checkbox are two radio buttons: 'Armed' (selected) and 'Unarmed'. To the right of these radio buttons is an 'Edit' button. Below the radio buttons is a 24-hour grid for scheduling, with columns numbered 0 through 24 and rows for each day of the week (Mon, Tue, Wed, Thu, Fri, Sat, Sun). At the bottom of the configuration area is a 'Save' button.

### To configure Alarm Output:

1. **Select Alarm** and the **Alarm Name**.
2. Select **N.O.** as the **Default Status** and set the **Delay**.
3. If desired, **Enable Schedule**. See the *Motion Detection* section for more information about the Alarm Schedule.
4. **Save**

**Caution** Follow the power-on sequence for alarm output third-party devices and cameras carefully to avoid damaging camera components.

Check that the alarm Status is set to **N.O.** (default setting), and that the camera and the alarm output device are powered off.

After completing the connection, power on the alarm output device first, and then power on the camera.

## STORAGE SETTINGS

### Storage

OpenEye IP cameras include an integrated microSD™ card (Memory Card) slot that can be used to record video or images. The card slot is compatible with a microSD™ card up to 512GB.

The screenshot shows the 'Storage' settings page. On the left is a sidebar with menu items: Basic Camera Settings, Network Settings, Streaming Settings, Picture Settings, Event Settings, Storage Settings, Security Settings, and Maintenance. The 'Storage Settings' section is expanded, showing sub-items: Storage, JPEG Download, and Recording Download. The main content area is titled 'Storage' and contains the following fields and options:

- Storage Medium: Memory Card (dropdown menu)
- Format:  Enable
- Storage Medium Status: No card
- Total Capacity: 0 MB, Free Space: 0 MB.
- Allocate Capacity**
  - Video(MB): 0 (The remaining capacity is used for image storage.)
  - Common Snapshot(MB): 0
- Video Storage Info**
  - Storage Policy:  Manual Storage  Planned Storage  Off
  - When Storage Full:  Overwrite  Stop
  - Post-Record(s): 60
- Save button

**Note** Formatting the microSD card causes the camera to restart

**Note** Camera date and time must be synced with system or server to insure accurate recording timestamps

### Format

To format the memory card, check **Enable** and to confirm the operation. The system will restart when the format is completed.

### Allocate Capacity

**Video (MB)** – Enter the amount of storage space to be allocated only to video recordings.

**Common Snapshot (MB)** – This is the remaining storage after video recordings which will be used to store snapshot images.

### Video Storage Info

#### Storage Policy

**Manual Storage** – records video to the SD card continuously.

**Planned Storage** – camera records video to the memory card during the specified periods. (shown below)

**Off** – No recorded video will be saved to the SD card.

#### When Storage Full

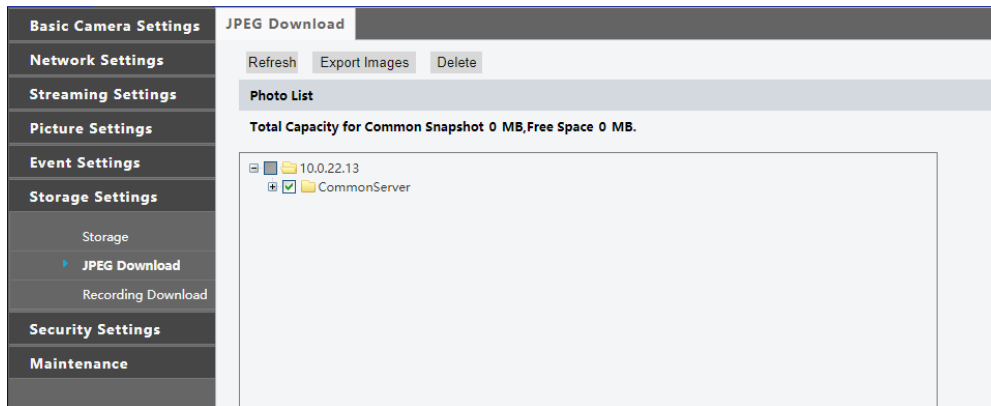
**Overwrite** – When the SD card is full, new data will begin overwriting oldest data.

**Stop** – When the SD card is full, video recording will stop writing to the SD card.

**Post-Record(s)** – For alarm-triggered recording; this is the length of time (seconds) that recording continues after the end of the alarm. Enter an integer range of [30–1800].

#### Save

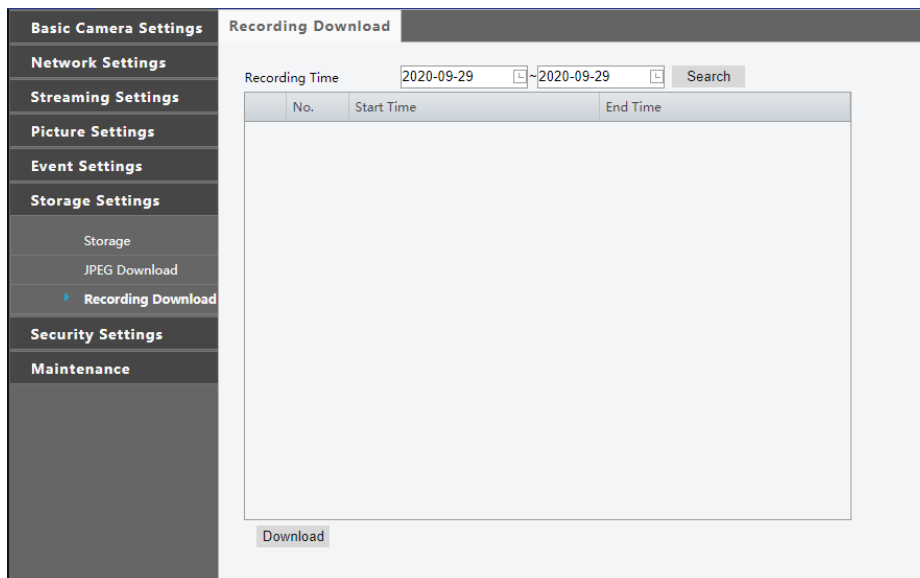
## JPEG Download



Use Export Images to download snapshots taken by the camera. Refresh the list to update Photo List or Delete to delete images from the selected folder.

## Recording Download

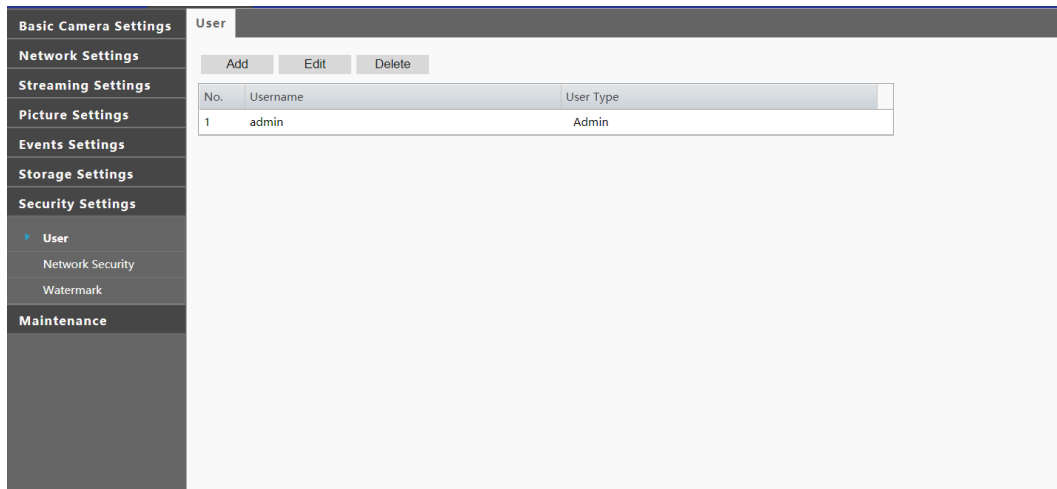
Recording download page allows you to search a selected date range for video and snapshots recorded to the microSD card.



1. Search for video within a specified period. The results will be shown in a list below.
2. Select your video and click **Download**.

# SECURITY SETTINGS

## User



There are two types of users:

**Administrator** – referred to as “admin” in this manual. The default name of the administrator is **admin**, which cannot be modified. Admin has full permission and can manage all users and devices. Only one admin user is allowed.

**Common User** – referred to as “user” in this manual. User only has permission to play live and recorded video.

Up to 20 common users are allowed.

### Add

Username and passwords are limited to 32 characters with no spaces permitted. There is a maximum of twenty user accounts.

1. Type the new **Username** and **User Type**.
2. Type a **Password**, and then confirm the password.
3. **Save**

### Edit

1. Select the **Username** on the **User list**.
2. Click **Edit**.
3. Modify the password in the resulting window.
4. **Save**

### Delete

1. Select the **Username** on the **User list**.
2. Click **Delete** to remove the user.
3. Click **OK** in the confirmation window.

## Network Security

You can use the Network Security tab to set a secure channel for data transmission.

The screenshot shows a web interface for configuring network security. On the left is a sidebar menu with categories: Basic Camera Settings, Network Settings, Streaming Settings, Picture Settings, Events Settings, Storage Settings, Security Settings, User, Network Security (selected), Watermark, and Maintenance. The main content area is titled 'HTTPS' and contains the following settings:

- HTTPS:** Radio buttons for 'On' (selected) and 'Off'. Below is an 'SSL Certificate' field with 'Browse...' and 'Upload' buttons, and a 'Save' button.
- RTSP Authentication:** A dropdown menu set to 'Digest', with a 'Save' button below it.
- HTTP Authentication:** A dropdown menu set to 'Digest', with a 'Save' button below it.
- IP Address Filtering:** Radio buttons for 'On' (selected) and 'Off'. Below is a 'Filtering Mode' dropdown set to 'Whitelist'.
- IP Address List:** A table with columns 'No.' and 'IP Address'. The first row has a blue '+' icon in the 'IP Address' column. There are four empty rows below.
- Save:** A 'Save' button at the bottom of the section.

### To configure Network Security:

1. Enable HTTPS by selecting **On** or click **Browse** to upload your custom **SSL certificate** if desired.
2. **Save**

### RTSP and HTTP Authentication

Use the **Authentication** dropdown menus to select the appropriate mode, and then click **Save**.

### IP Address Filtering

IP Address filtering allows you to forbid access from specified IP addresses to your camera.

1. Select **On**.
2. Select a **Filtering Mode**, and then click the **+** symbol to add the desired IP addresses to the list.
3. **Save**

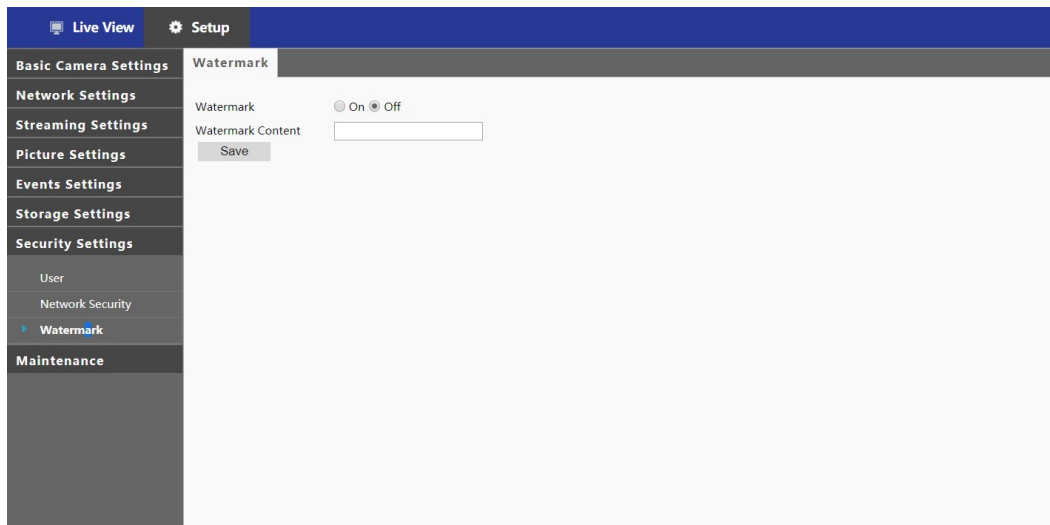


**Note** If the Filtering Mode is set to **Whitelist**, only the specified IP addresses can access the camera. If the Filtering Mode is set to **Deny Access**, the specified IP addresses are denied access. Up to 32 IP addresses can be added to the list.



## Watermark

Use the Video Watermark to encrypt the camera image and protect the video from being deleted or modified.

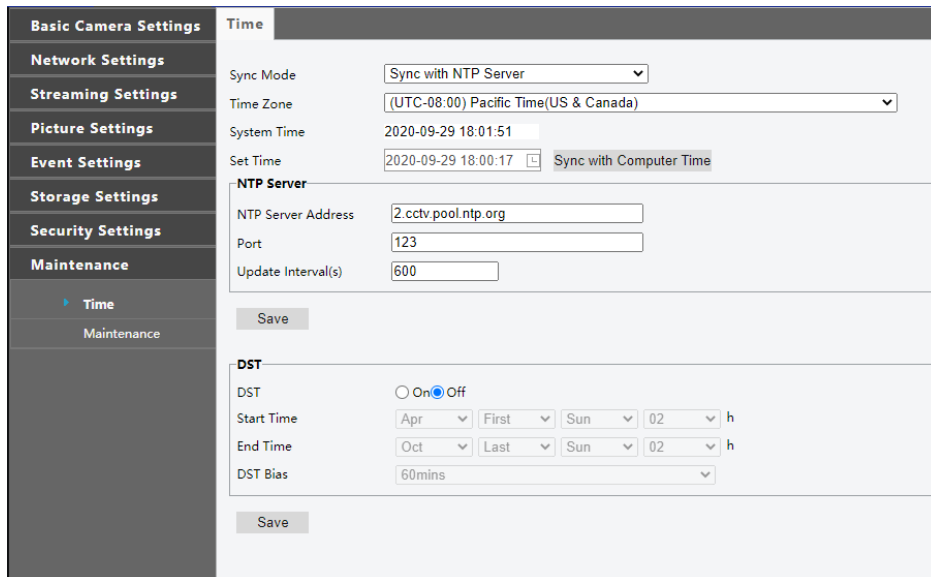


The screenshot shows the 'Watermark' settings page. On the left is a navigation menu with categories: Basic Camera Settings, Network Settings, Streaming Settings, Picture Settings, Events Settings, Storage Settings, Security Settings, User, Network Security, Watermark (selected), and Maintenance. The main content area has a 'Watermark' section with a radio button for 'On' (selected) and 'Off'. Below it is a 'Watermark Content' text input field and a 'Save' button.

1. Select **On** to enable watermark, and input **Watermark Content**.
2. **Save**

## MAINTENANCE

### Time



The screenshot shows the 'Time' settings page. The left navigation menu includes: Basic Camera Settings, Network Settings, Streaming Settings, Picture Settings, Event Settings, Storage Settings, Security Settings, Maintenance, Time (selected), and Maintenance. The main content area has a 'Time' section with a 'Sync Mode' dropdown set to 'Sync with NTP Server', a 'Time Zone' dropdown set to '(UTC-08:00) Pacific Time(US & Canada)', a 'System Time' display showing '2020-09-29 18:01:51', and a 'Set Time' field with a calendar icon and a 'Sync with Computer Time' button. Below this is an 'NTP Server' section with fields for 'NTP Server Address' (2.cctv.pool.ntp.org), 'Port' (123), and 'Update Interval(s)' (600), followed by a 'Save' button. At the bottom is a 'DST' section with a radio button for 'On' (selected) and 'Off', and fields for 'Start Time' (Apr, First, Sun, 02 h), 'End Time' (Oct, Last, Sun, 02 h), and 'DST Bias' (60mins), followed by a 'Save' button.

By default, the time setting **Sync Mode** will be set to **Sync with NTP Server**.

### Manually Setting or Synchronizing the System Time

1. Select a **Sync Mode**.
2. Set the correct **Time Zone** and **System Time**. You may also click **Sync with Computer Time** to synchronize the time settings of your camera with that of your PC.
3. **Save**

## Synchronizing with the NTP Server

1. Set **Sync Mode** to **Sync with NTP Server**, and then set the **NTP Server Address**, **Port** and **Update Interval(s)**.
2. Click **Save**. The camera will periodically synchronize time with the NTP server.

## Setting the DST

1. Select **On** for **DST**, set the **Start Time**, **End Time**, and **DST Bias**.
2. **Save**

## Maintenance

<b>Basic Camera Settings</b>	<b>Maintenance</b>
<b>Network Settings</b>	<b>Software Upgrade</b>
<b>Streaming Settings</b>	Local Upgrade <input type="text"/> <input type="button" value="Browse..."/> <input type="button" value="Upgrade"/>
<b>Picture Settings</b>	<b>Config Management</b>
<b>Event Settings</b>	<input type="button" value="Default"/> <input type="checkbox"/> Restore all settings to defaults without keeping current network and user settings.
<b>Storage Settings</b>	Importing <input type="text"/> <input type="button" value="Browse..."/> <input type="button" value="Import"/>
<b>Security Settings</b>	Exporting <input type="button" value="Export"/>
<b>Maintenance</b>	<b>Diagnosis Info</b>
Time	Export Diagnosis Info <input type="button" value="Export"/>
▶ Maintenance	<input checked="" type="checkbox"/> Collect Image Debugging Info
	<b>Device Restart</b>
	<input type="button" value="Restart"/> Restart device

### Software Upgrade

To update your camera software, click **Browse**, select the software file, click **Open**, and then click **Upgrade**.



**Note** The software file must be a .zip file.

### Device Restart

This will restart your camera.

### Config Management

1. To import configurations that you have backed up, click **Browse**, select the configuration file, and then click **Import**.
2. To export current system configurations, click **Export**.
3. To restore default configurations, click **Default** and then confirm the operation. The device will restart and restore the default configurations. Clicking **Default** with the check box selected will default all camera and camera network settings.

### Diagnosis Info

Diagnostic Information includes logs and system configuration. You can export diagnostic information to your PC.



**Note** Diagnostic information is exported to the local folder as a compressed file. You will need to decompress the file, and then open the file using a text editor.

www.openeye.net  
1-888-542-1103

© 2021 OpenEye

All rights reserved. No part of this publication may be reproduced by any means without written permission from OpenEye. The information in this publication is believed to be accurate in all respects. However, OpenEye cannot assume responsibility for any consequences resulting from the use thereof. The information contained herein is subject to change without notice. Revisions or new editions to this publication may be issued to incorporate such changes.