

OE-CA10WMKIT-02



10-Series Wall Mount Kit with Pendant Cap

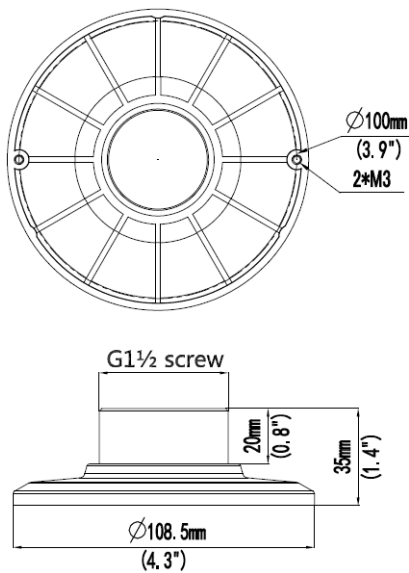
ACCESSORIES

This kit includes the OE-CA10PC-01 and OE-CA00WM-01



DIMENSIONS

OE-CA10PC-01



OE-CA00WM-01

