

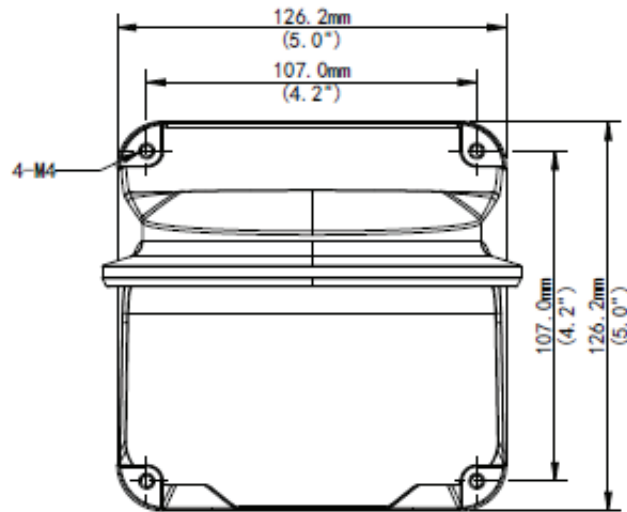
**OE-CA30WM-01**  
**OE-CA30WM-01B**

30-SERIES WALL MOUNT



**DIMENSIONS**

**Front View**



**Side View**

