

OE-CA30WMKIT-01



30-Series Wall Mount Kit with Outdoor Junction Box

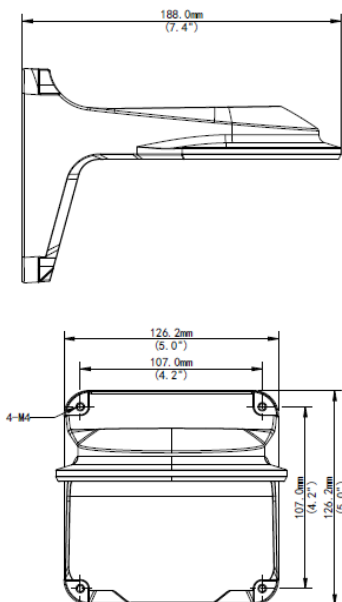
ACCESSORIES

This kit includes the OE-CA30WM-01 and OE-CA00JB-01

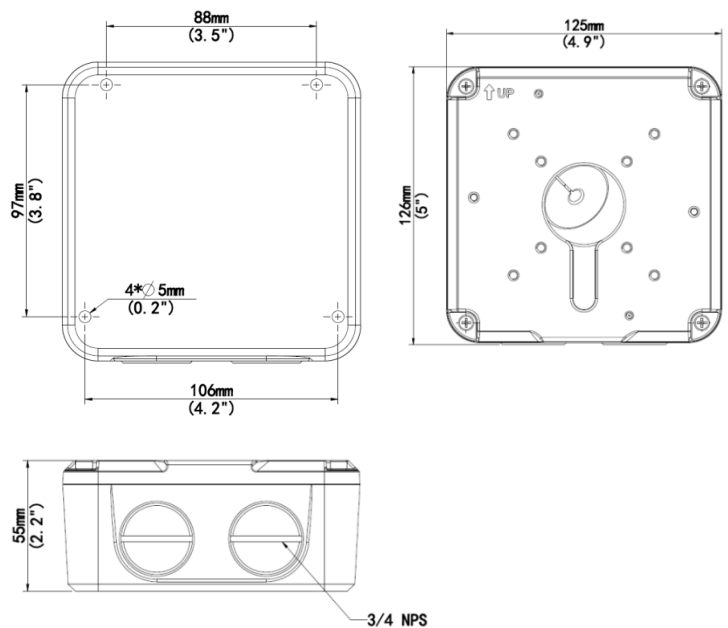


DIMENSIONS

OE-CA30WM-01



OE-CA00JB-01



Liberty Lake, WA, USA
509.232.5261
openeye.net
38141AA

Copyright ©2024 OpenEye. All Rights Reserved.
Information contained in this document is subject to change without prior notice. OpenEye does its best to provide accurate information but cannot be held responsible for typos or mistakes.