

# OE-CA30WMKIT-02



## 30-Series Wall Mount Kit with Pendant Cap

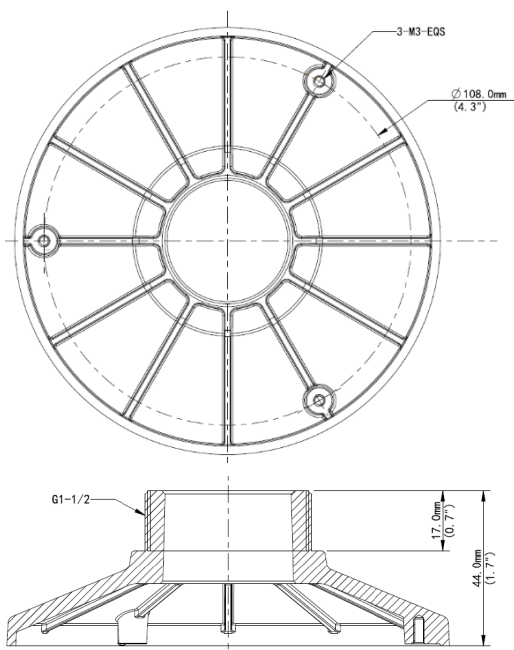
### ACCESSORIES

This kit includes the OE-CA30PC-01 and OE-CA00WM-01

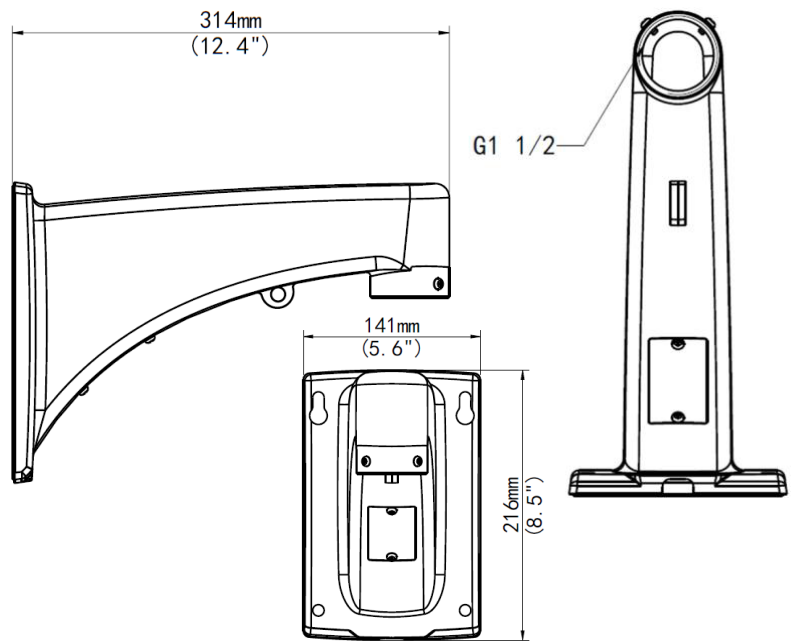


### DIMENSIONS

OE-CA30PC-01



OE-CA00WM-01



Liberty Lake, WA, USA  
509.232.5261  
openeye.net  
38145AA

Copyright ©2024 OpenEye. All Rights Reserved.  
Information contained in this document is subject  
to change without prior notice. OpenEye does its best  
to provide accurate information but cannot be held  
responsible for typos or mistakes.