

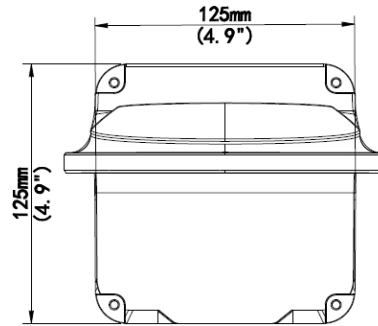
### OE-CA79WM

WALL MOUNT



#### DIMENSIONS

##### Front View



##### Side View

