

# OE-CA91WMKIT-03



## 91-Series Wall Mount Kit with Pendant Cap

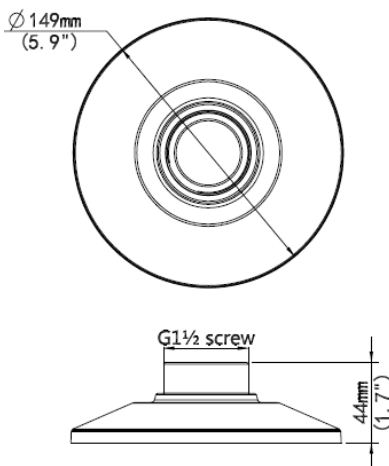
### ACCESSORIES

This kit includes the OE-CA32PC-01, OE-CA91AP-01, and the OE-CA00WM-01

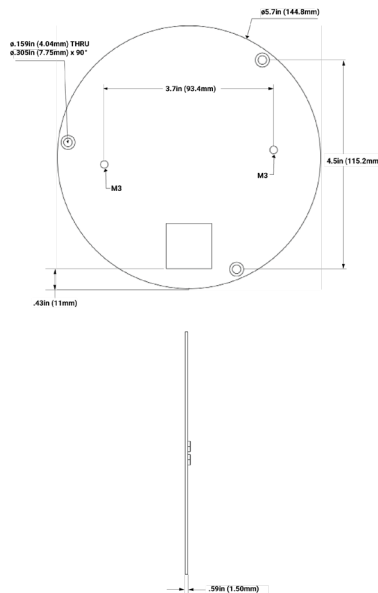


### DIMENSIONS

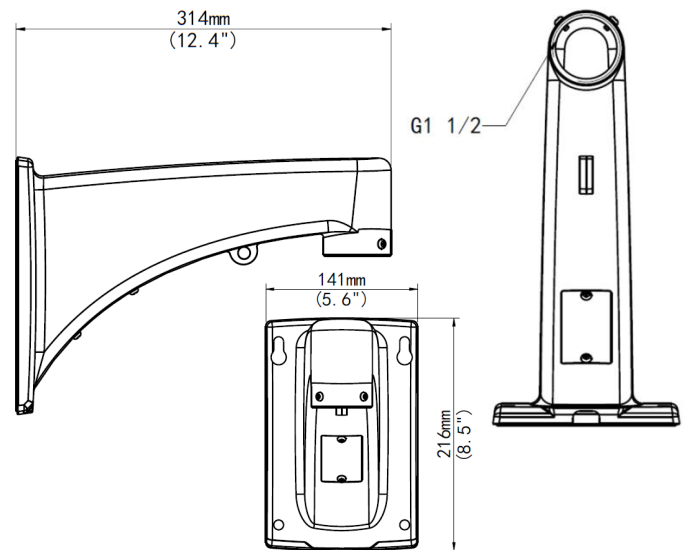
OE-CA32PC-01



OE-CA91AP-01



OE-CA00WM-01



Liberty Lake, WA, USA  
509.232.5261  
openeye.net  
38158AA

Copyright ©2024 OpenEye. All Rights Reserved.  
Information contained in this document is subject to change without prior notice. OpenEye does its best to provide accurate information but cannot be held responsible for typos or mistakes.