



OE-CC51D5

5MP Cloud IP Dome Camera

The OE-CC51D5 is a 5MP outdoor dome camera, managed in the cloud, with recording and analytics on the edge.



OWS AI CAPABLE

Get a more intelligent and aware solution with a dedicated analytics processor.



CLOUD CAMERA

Streamline surveillance with an all-in-one video solution, featuring onboard recording and advanced analytics processing.



AUTOMATIC UPDATES

Reduce the burden on IT with automatic software updates, delivering the latest features and cybersecurity patches.



HIGH DYNAMIC RANGE

Achieve crystal clear image clarity in diverse lighting with advanced HDR technology.



ONBOARD RECORDING

Record directly on the camera and access the video seamlessly from the cloud.



TWO-WAY AUDIO

Receive and transmit audio through the camera line in/out.



CAMERA SPECIFICATIONS

OPTICAL

Image Sensor	1/2.7" Progressive CMOS
Effective Pixels	5MP (2592x1944)
Lens Type	Varifocal Motorized Zoom
Focal Length	2.7 ~ 13.5mm
Field of View	100° ~ 30°
Iris	P-Iris
Day/Night	Auto (ICR)
Dynamic Range	Digital Overlap High Dynamic Range
IR Cut Filter	Yes
IR Range	Up to 164'

VIDEO SETTINGS

Compression	H.264
Configurable Video Profiles	Main Profile, High Profile
Frame Rate	Up to 30FPS
Image Rotation	0°, 90°, 270°, Image Flip, Image Mirror

AUDIO

Compression	G.711
Two-way Audio	Supported
Suppression	Supported

CONNECTIONS

Ethernet	RJ45, 10/100Mbps
Alarm	DI x2, DO x1 (Terminal Connections)
Audio	Line In x1/Line Out x1 (Terminal Connections)
Power Source	PoE 802.3af*/PoE+ 802.3at/12VDC
Onboard Storage	512GB, 1TB, 1.5TB MicroSD, SDXC

*internal heater will be disabled

GENERAL

CPU	Ambarella CV22S66
OVS AI Capable	Smart Motion, Person, Vehicle, Intrusion, Loitering, Line Crossing Analytics dependent on license tier. See OVS Licensing for more information.
Ingress Protection	IP67
Impact Rating	IK10
Operating Temperature	IR Off: -22° ~ 140°F (-30° ~ 60°C) IR On: -40° ~ 122°F (-40° ~ 50°C)
Humidity	90% R.H.
Dimensions	Ø 6.1" x 4.1" (155 x 103mm)
Weight	2lbs (1kg)
Pan/Tilt/Rotate	Pan: 350° Tilt: 80° Rotate: 180°
Country of Origin	Taiwan
NDA Compliant	Yes

POWER

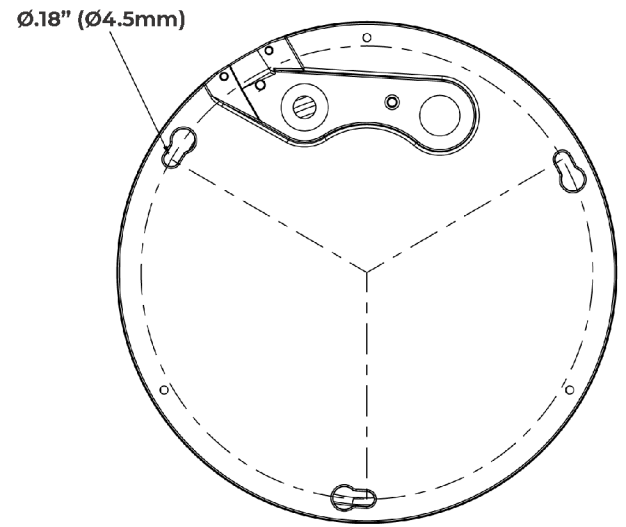
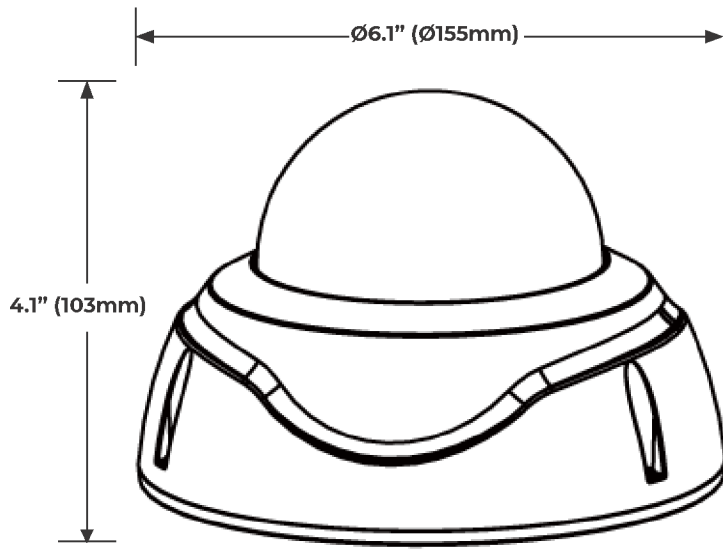
Max Power Consumption (IR On)	Heater Off: 12VDC: 11W PoE 802.3af: 13W Heater On: 12VDC: 21W PoE+ 802.3at: 22W
-------------------------------	--

CERTIFICATIONS

Certifications	UL, CE, UKCA, FCC Part 15 Subpart B Class A
----------------	---



DIMENSIONS





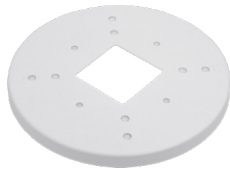
ACCESSORIES



51-Series Junction Box
OE-CA51JB-01



51-Series Wall Mount
OE-CA51WM-01



51-Series Transfer Plate
OE-CA51TP-01



51-Series Pendant Cap
OE-CA51PC-01



51-Series Pendant Cap
OE-CA51PC-01



Indoor/Outdoor Wall Mount
OE-CA00WM-01



51-Series Pendant Cap
OE-CA51PC-01



Ceiling-Mounted Pole
OE-CA00CMP-01