



OE-CC51D8

## 8MP Cloud IP Dome Camera

The OE-CC51D8 is a 8MP outdoor dome camera, managed in the cloud, with recording and analytics on the edge.



### OWS AI CAPABLE

Get a more intelligent and aware solution with a dedicated analytics processor.



### CLOUD CAMERA

Streamline surveillance with an all-in-one video solution, featuring onboard recording and advanced analytics processing.



### AUTOMATIC UPDATES

Reduce the burden on IT with automatic software updates, delivering the latest features and cybersecurity patches.



### HIGH DYNAMIC RANGE

Achieve crystal clear image clarity in diverse lighting with advanced HDR technology.



### ONBOARD RECORDING

Record directly on the camera and access the video seamlessly from the cloud.



### TWO-WAY AUDIO

Receive and transmit audio through the camera line in/out.



## CAMERA SPECIFICATIONS

### OPTICAL

Image Sensor	1/2.8" Progressive CMOS
Effective Pixels	8MP (3864x2192)
Lens Type	Varifocal Motorized Zoom
Focal Length	3 ~ 9mm
Field of View	115° ~ 36°
Iris	P-Iris
Day/Night	Auto (ICR)
Dynamic Range	Digital Overlap High Dynamic Range
IR Cut Filter	Yes
IR Range	Up to 164'

### VIDEO SETTINGS

Compression	H.264
Configurable Video Profiles	Main Profile, High Profile
Frame Rate	Up to 30FPS
Image Rotation	0°, 90°, 270°, Image Flip, Image Mirror

### AUDIO

Compression	G.711
Two-way Audio	Supported
Suppression	Supported

### CONNECTIONS

Ethernet	RJ45, 10/100Mbps
Alarm	DI x2, DO x2 (Terminal Connections)
Audio	Line In x1/Line Out x1 (Terminal Connections)
Power Source	PoE 802.3af*/PoE+ 802.3at/12vDC
Onboard Storage	1TB, 1.5TB MicroSD, SDXC

\*internal heater will be disabled

### GENERAL

CPU	Ambarella CV22S66
OWS AI Capable	Smart Motion, Person, Vehicle, Intrusion, Loitering, and Line Crossing. Analytics dependent on license tier. See <a href="#">OWS Licensing</a> for more information.
Ingress Protection	IP67
Impact Rating	IK10
Operating Temperature	IR Off: -22° ~ 140°F (-30° ~ 60°C) IR On: -40° ~ 122°F (-40° ~ 50°C)
Humidity	90% R.H.
Dimensions	Ø 6.1" x 4.1" (155 x 103mm)
Weight	2lbs (1kg)
Pan/Tilt/Rotate	Pan: 350°   Tilt: 90°   Rotate: 180°
Country of Origin	Taiwan
NDAA Compliant	Yes

### POWER

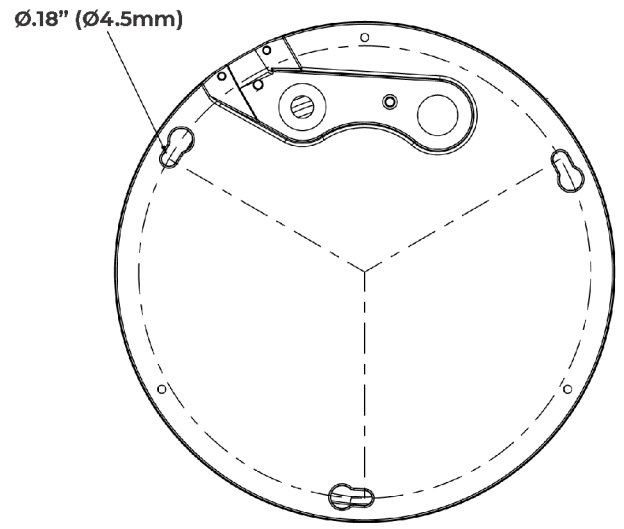
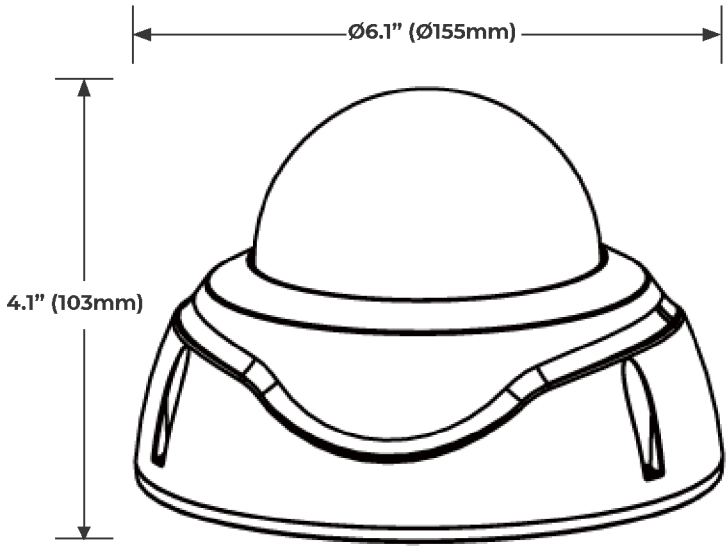
Max Power Consumption (IR On)	Heater Off: 12vDC: 11W   PoE 802.3af: 13W Heater On: 12vDC: 21W   PoE+ 802.3at: 22W
-------------------------------	--

### CERTIFICATIONS

Certifications	UL, CE, UKCA, FCC Part 15 Subpart B Class A
----------------	---



**DIMENSIONS**





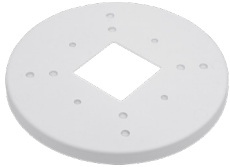
## ACCESSORIES



51-Series Junction Box  
**OE-CA51JB-01**



51-Series Wall Mount  
**OE-CA51WM-01**



51-Series Transfer Plate  
**OE-CA51TP-01**



51-Series Pendant Cap  
**OE-CA51PC-01**



51-Series Pendant Cap  
**OE-CA51PC-01**



Indoor/Outdoor Wall Mount  
**OE-CA00WM-01**



51-Series Pendant Cap  
**OE-CA51PC-01**



Ceiling-Mounted Pole  
**OE-CA00CMP-01**